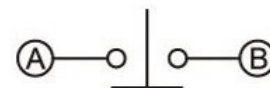
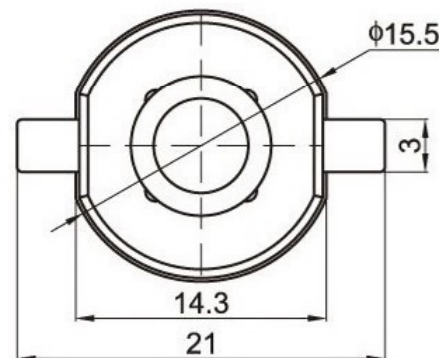
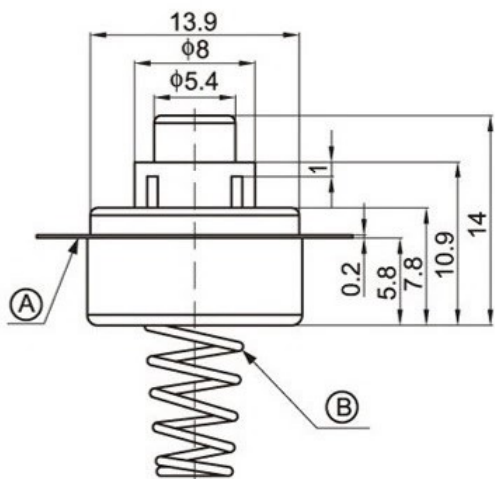


ON-OFF




电路简图

SCHEMATIC (NON-SHORTING)



注：“*”□表示关键尺寸(3个).

| NO. | PARTS | MATERIALS | Q'TY | | TOLERANCE UNLESS SPECIFIED | | | | |
|-----|-----------|--------------------|------|----------------|---|-------|------------|--------------------------|-----------|
| 8 | | | | | | | | | |
| 7 | | | | | | | | | |
| 6 | | | | | WITHIN 1.5mm : $\pm 0.1\text{mm}$ | A | 2012-8-13 | 初版 | |
| 5 | SPRING | SUS | 1 | NATURAL | OVER 1.5mm : $\pm 0.2\text{mm}$ | ISSUE | DATE | DESCRIPTIONS OF REVISION | APPD. |
| 4 | CAM STICK | SUS | 1 | NATURAL | TITLE : VERTICAL PUSH SWITCH | | UNIT : mm | DRWG NO.: | |
| 3 | CASE | PA66/BRASS STRIP | 1 | GREY/Ag PLATED | MODEL: | | SCALE: 5:1 | DWN. | 2012-8-13 |
| 2 | COVER | PA66 | 1 | BLACK |  广东科斯达开关厂 | | | CHK'D | |
| 1 | KNOB | PA66/PBS C5210R-EH | 1 | WHITE/Ag CLAD | | | | APPD. | |