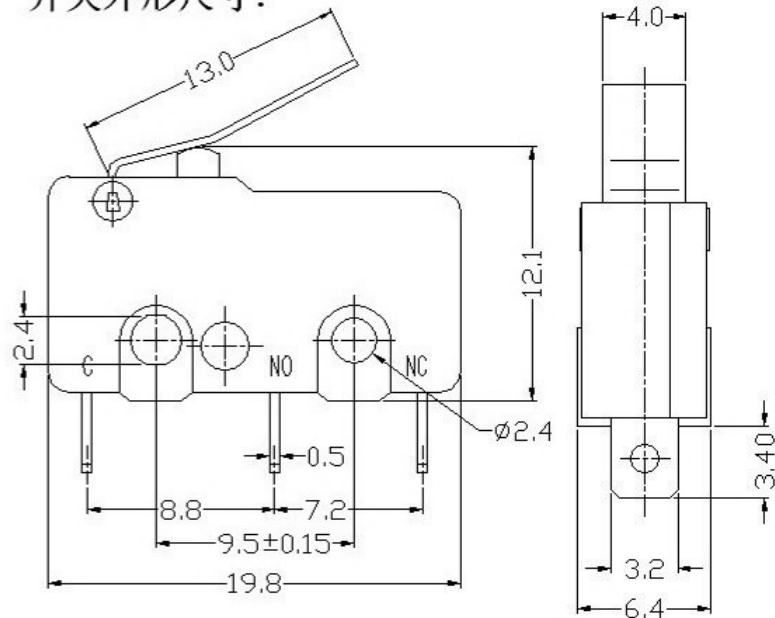


开关外形尺寸:



开关技术特性(Switch technical Characteristics):

| 项目 (ITEM) | 技术参数 (technical parameter) | 特性值 (Value) |
|-----------|--|--|
| 1 | 电气额定值 (Electrical Rating) | 5(2)A 250VAC |
| 2 | 动作力 (Operating Force) | 1.0~5.0N |
| 3 | 动作行程 (Pretravel) | 0.6~1.5mm |
| 4 | 接触电阻 (Contact Resistance) | ≤50mΩ (初始值 Initial value) |
| 5 | 绝缘电阻 (Insulation Resistance) | ≥100MΩ (500VDC) |
| 6 | 耐压强度 (Dielectric Voltage) | 同极不相接端子间 (between non-connected terminals) |
| | | 端子与外壳或非载流金属零件之间 (between terminals and the metal frame) |
| 7 | 电气寿命 (Electrical Life) | ≥10000 cycles |
| 8 | 机械寿命 (Mechanical Life) | ≥100000 cycles |
| 9 | 工作温度 (Operating Temperature) | -25~85℃ |
| 10 | 操作频率 (Operating Frequency) | 电气 (electrical) : 15 cycles 机械 (Mechanical) : 60 cycles |
| 11 | 抗振动 (Vibration Proof) | 振动频率 (Vibration Frequency) : 10~55HZ; 振幅 (Amplitude) : 1.5mm; 三向 (Three directions) : 1H |
| 12 | 可焊性 (Solder Ability): 超过 80% 的浸锡面积被焊料所覆盖 (More than 80% of immersed part shall be covered with solder) | 焊接温度 (Soldering Temperature) : 235±5℃ 浸渍时间 (Immersing Time) : 2~3S |
| 13 | 耐焊接热 (Solder Heat Resistance) | 自动焊接 (Dip Soldering) : 260±5℃ 5±1S 手工焊接 (Manual Soldering) : 300±5℃ 2~3S |
| 14 | 安全认证 (Safety Approvals) | UL, CSA, CQC |
| 15 | 测试条件 (Test Conditions) | 环境温度 (Ambient Temperature) : 20±5℃ 相对湿度 (Relative Humidity) : 65±5%RH 大气压 (Air Pressure) : 86~106KPa |

| (The defining characteristics of operation) | (Operating Parameter) | (Abbreviation) | (Units) | (Value) |
|---|-------------------------------|----------------|---------|-----------|
| | 自由位置 (Free Position) | FP | mm | 12.1±0.2 |
| | 动作位置 (Operating Position) | OP | mm | 11.5±0.5 |
| | 复位位置 (Releasing Position) | RP | mm | 11.7±0.5 |
| | 总行程位置 (Total travel Position) | TTP | mm | 10.7 |
| | 动作力 (Operating Force) | OF | N | 1.0~3.5 |
| | 回复力 (Releasing Force) | RF | N | — |
| | 总行程力 (Total travel Force) | TTF | N | — |
| | 预行程 (Pre Travel) | PT | mm | 0.3~1.0 |
| | 过行程 (Over Travel) | OT | mm | 0.2 (Min) |
| | 差动行程 (Movement Differential) | MD | mm | 0.4 (Max) |

| NO. | PARTS | MATERIALS | Q'TY | TOLERANCE UNLESS SPECIFIED | | | | |
|-----|-----------|--------------------|------|----------------------------|-----------------------|-----------|--------------------------|-----------|
| 8 | | | | WITHIN 1.5mm : ±0.1mm | A | 2012-8-13 | 初版 | |
| 7 | | | | OVER 1.5mm : ±0.2mm | ISSUE | DATE | DESCRIPTIONS OF REVISION | |
| 6 | | | | APPD. | | | | |
| 5 | SPRING | SUS | 1 | NATURAL | TITLE : Miicro Switch | | | UNIT : mm |
| 4 | CAM STICK | SUS | 1 | NATURAL | MODEL: | | | DRWG NO.: |
| 3 | CASE | PA66/BRASS STRIP | 1 | GREY/Ag PLATED | SCALE: 5:1 | | | DWN. |
| 2 | COVER | PA66 | 1 | BLACK | 2012-8-13 | | | 2012-8-13 |
| 1 | KNOB | PA66/PBS C5210R-EH | 1 | WHITE/Ag CLAD | | | | CHK'D |
| | | | | | APPD. | | | 2012-8-13 |