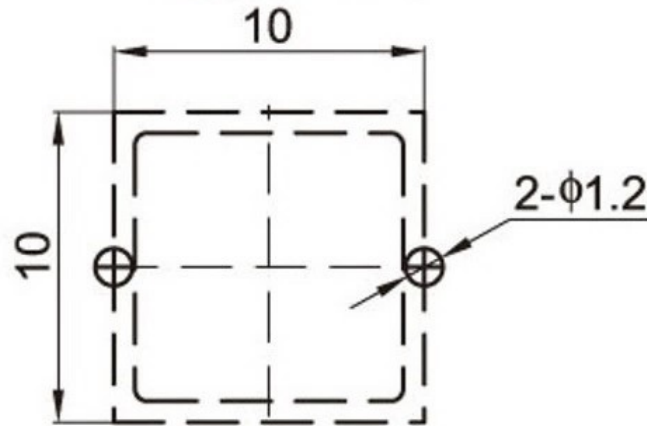
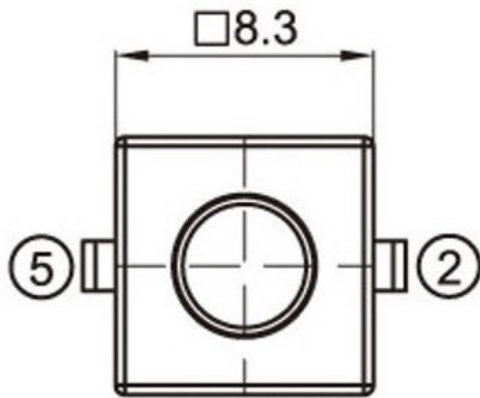



ON-OFF

SCHEMATIC (NON-SHORTING)



印制线路板
P.C.B

注：“*”□表示关键尺寸(3个)。

NO.	PARTS	MATERIALS	Q'TY	TOLERANCE UNLESS SPECIFIED				
8								
7								
6				WITHIN 1.5mm : ±0.1mm	A	2012-8-13	初版	
5	SPRING	SUS	1	NATURAL	ISSUE	DATE	DESCRIPTIONS OF REVISION	
4	CAM STICK	SUS	1	NATURAL	TITLE : VERTICAL PUSH SWITCH		UNIT : mm	DRWG NO.:
3	CASE	PA66/BRASS STRIP	1	GREY/Ag PLATED	MODEL:		SCALE: 5:1	DWN.
2	COVER	PA66	1	BLACK				2012-8-13
1	KNOB	PA66/PBS C5210R-EH	1	WHITE/Ag CLAD	 广东科斯达开关厂		CHK'D	2012-8-13
							APPD.	