

F

E

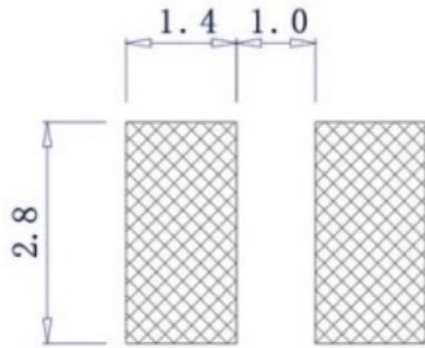
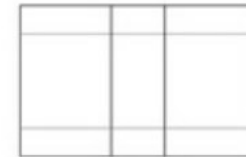
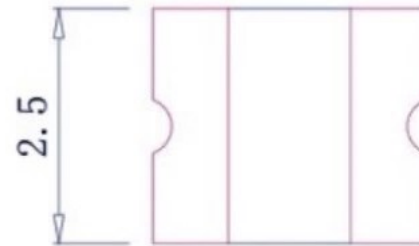
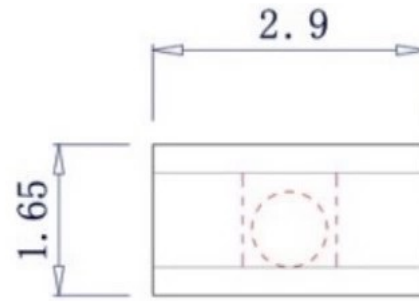
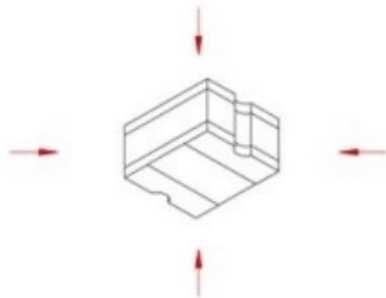
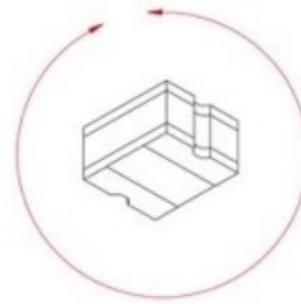
D

C

B

A

## SIZE尺寸

Unit: mm,  
Tolerance  $\pm 0.12$ PCB Installation Position  
PCB 焊位Omnidirectional  
vibration sensing.  
全方位振动感应360 Degree  
tilt sensing.  
360度倾斜感应

封装: PCB

连接端: Gold-plated

滚珠: Brass, gold-plated

焊接温度:  $320^{\circ}\text{C} \pm 10^{\circ}\text{C}$ 

操作寿命: 50,000 cycles

不可使用强酸, 碱性助焊剂。

广东科斯达电子科技有限公司  
Guangdong Keside Electronic Technology Co., Ltd.

COPYRIGHT RESERVED, PLEASE DO NOT COPY.

PART NAME		TILT SENSOR SWITCH		DRAWING	G.C.Chen	DWG.No.	SBIRB6
PART NO.				CHECK	G.C.Chen	REV.	A
UNIT: mm	TOLERANCE	UP TO 5	$\pm 0.2$	APPROVAL	DATE		
	OTHERWISE	ABOVE 5~30	$\pm 0.3$		SCALE	5:1	PAGE
		ABOVE 30	$\pm 0.5$				
		ANGLE	$\pm 3'$				

F

E

D

C

B

A