

F

E

D

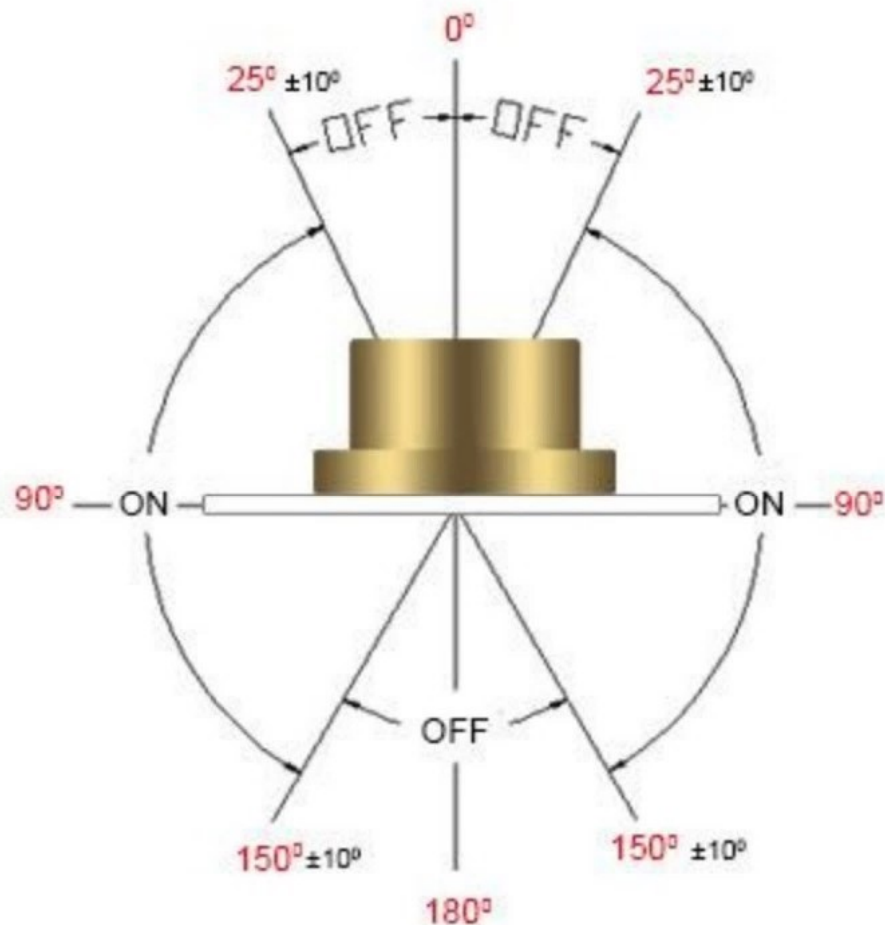
C

B

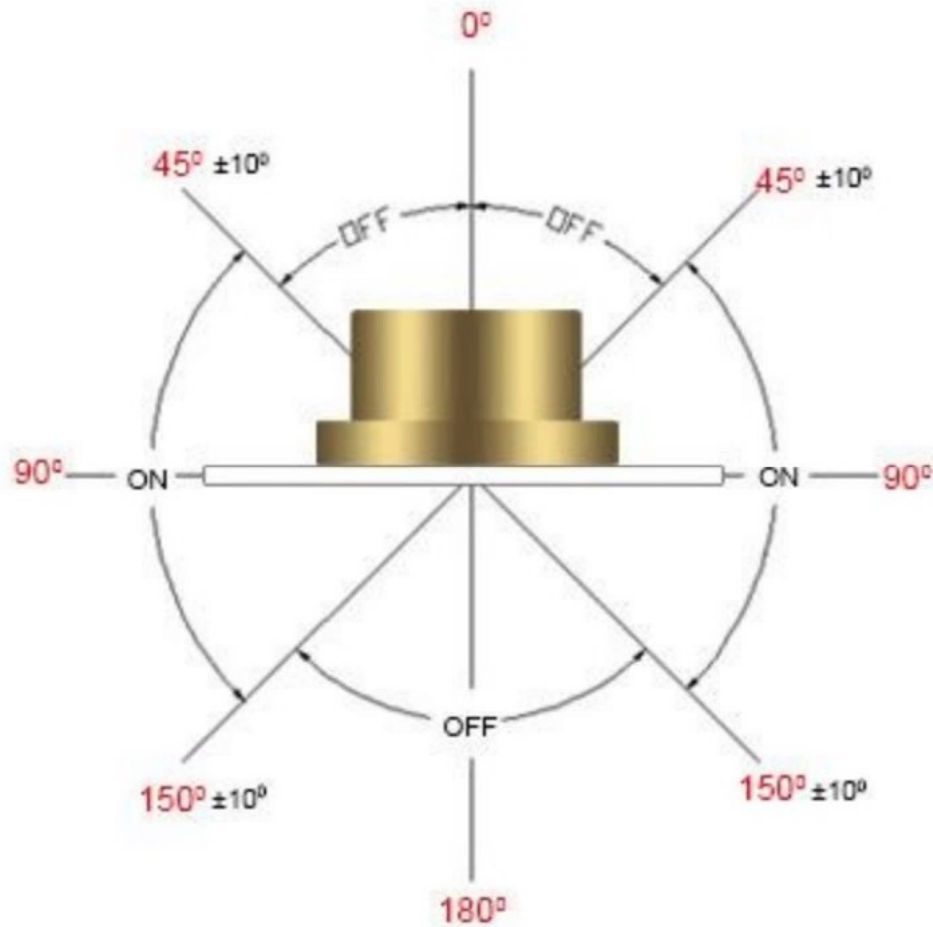
A

1

1



25度



45度

4

4



广东科斯达电子科技有限公司  
Guangdong Keside Electronic Technology Co., Ltd.

COPYRIGHT RESERVED, PLEASE DO NOT COPY.

PART NAME		TILT SENSOR SWITCH		DRAWING		G.C.Chen	DWG.No.	SBIRB6
PART NO.				CHECK		G.C.Chen	REV.	A
UNIT:	TOLERANCE	UP TO 5	±0.2	ANGLE	APPROVAL	DATE		
	OTHERWISE	ABOVE 5~30	±0.3			SCALE	5:1	PAGE
mm		ABOVE 30	±0.5	0°±3'				

F

E

D

C

B

A