

F

E

D

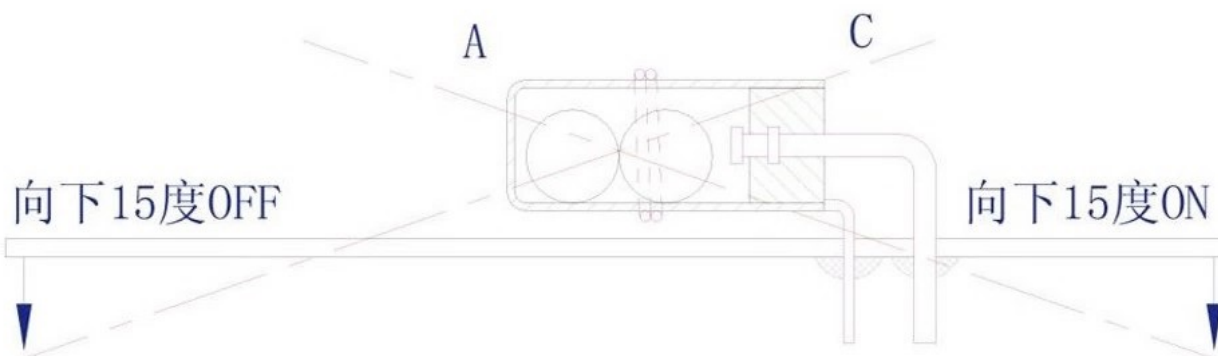
C

B

A

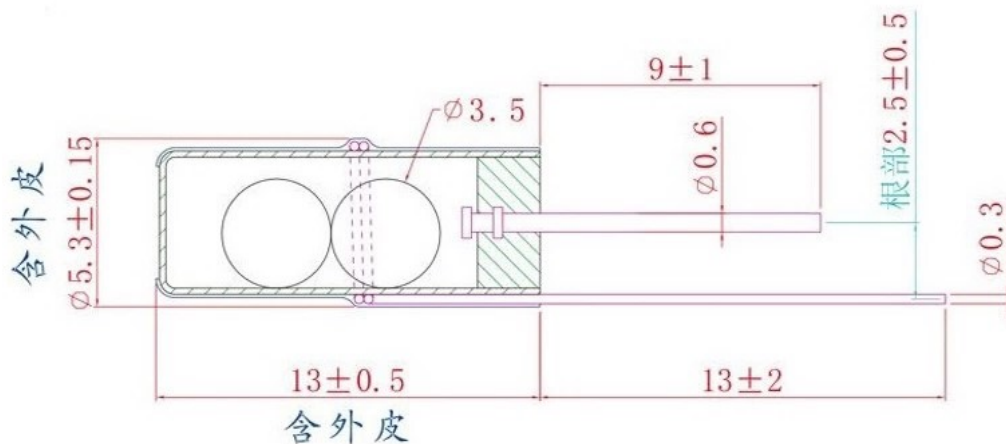
1

1



2

2



3

3

铜帽	导针	滚珠	封口胶粒	热收缩管	弹簧引线	操作寿命
Brass, silver gold-plated	Brass gold-plated	Brass / steel silver/gold-plated	Temperature resistance nylon	Phosphor bronzewire	PE/PET heat shrinkable tubing	10万次

4

4



广东科斯达电子科技有限公司
Guang dong Keside Electronic Technology Co., Ltd.

COPYRIGHT RESERVED, PLEASE DO NOT COPY.

PART NAME		TILT SENSOR SWTICH		DRAWING	G.C.Chen	DWG.No.	SBIRB6
PART NO.				CHECK	G.C.Chen	REV.	A
UNIT: mm	TOLERANCE	UP TO 5	± 0.2	APPROVAL		DATE	
	OTHERWISE	ABOVE 5~30	± 0.3			ANGLE	$0' \pm 3'$
		ABOVE 30	± 0.5	SCALE	5:1		
		ANGLE	$\pm 3'$				

F

E

D

C

B

A