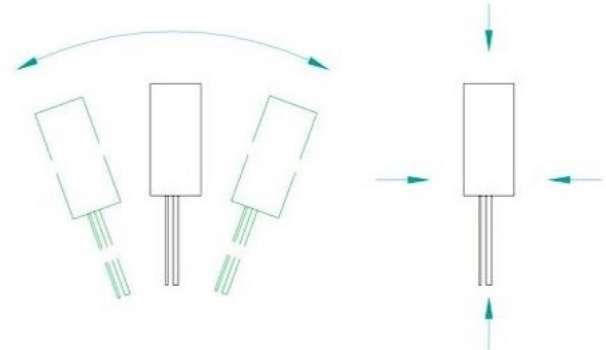
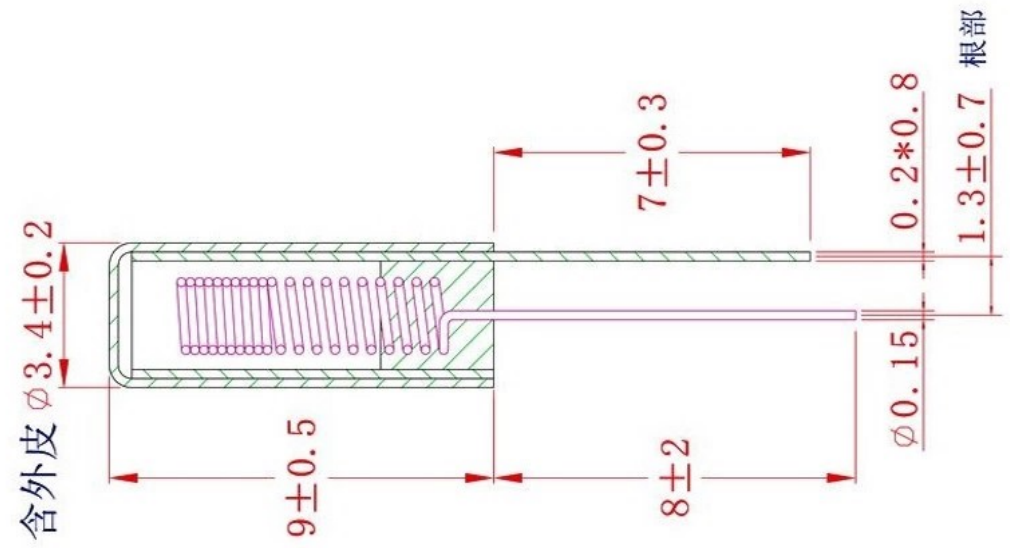


F E D C B A

1
2
3
4



受外力碰触或摇晃而瞬间导通

外管体：Brass ,nickel-plated
 弹簧：Stainless steel
 铜管：Brass ,silver-plated
 封口胶：epoxy resin
 焊接温度：260°C±10°C
 操作寿命：200,000 cycles
 不可使用强酸，碱性助焊剂。

- ▶ 电压：1.5-12V
- ▶ 电流：<20mA
- ▶ 导通时间：about 2ms
- ▶ 闭路电阻：<30 ohm
- ▶ 开路电阻：>10M ohm
- ▶ 耐温:Operating: -40°C to 80°C
- ▶ 端子拉力:300gf for 1 minute
- ▶ 湿度:95% RH, 40°C for 96 hours

PART NAME		TILT SENSOR SWTICH		DRAWING	G.C.Chen	DWG.No.	SBIRB6
PART NO.				CHECK	G.C.Chen	REV.	A
UNIT: mm	TOLERANCE	UP TO 5	±0.2	APPROVAL	DATE		
	OTHERWISE	ABOVE 5~30	±0.3		ANGLE	SCALE	PAGE
		ABOVE 30	±0.5		5:1		
		ANGLE	±3'				

F E D C B A