

F

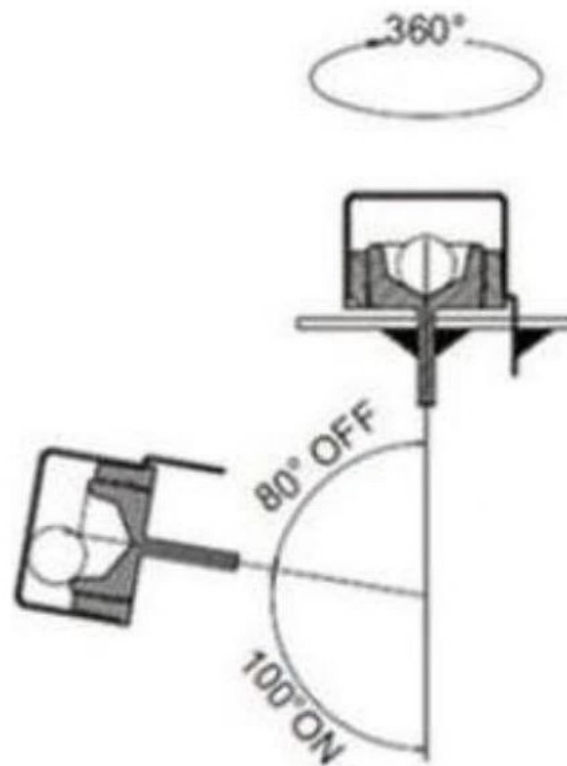
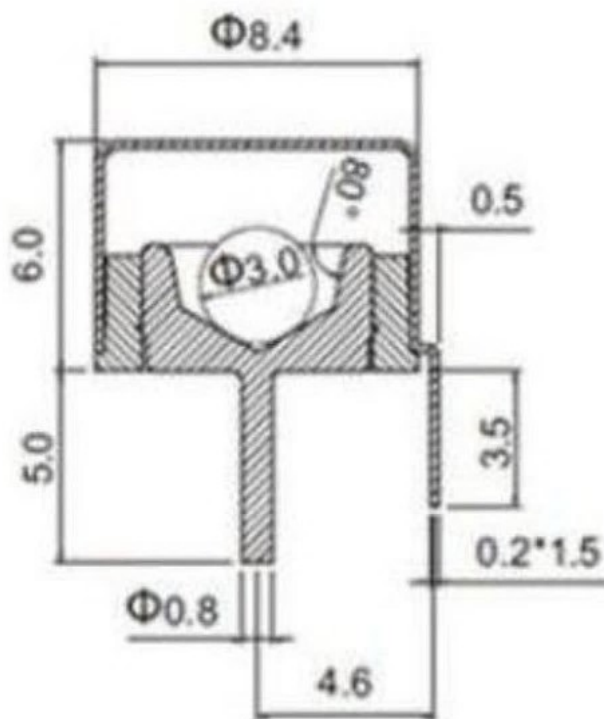
E

D

C

B

A



**广东科斯达电子科技有限公司**  
Guang dong Keside Electronic Technology Co., Ltd.

COPYRIGHT RESERVED, PLEASE DO NOT COPY.

PART NAME		TILT SENSOR SWITCH		DRAWING		G.C.Chen	DWG.No.	SBIRB6
PART NO.				CHECK		G.C.Chen	REV.	A
	UNIT:	TOLERANCE	UP TO 5	±0.2	ANGLE	APPROVAL	DATE	
	mm		OTHERWISE	ABOVE 5~30			±0.3	0'±3'
			ABOVE 30	±0.5		SCALE	5:1	
			ANGLE	±3'				

F

E

D

C

B

A