

F

E

D

C

B

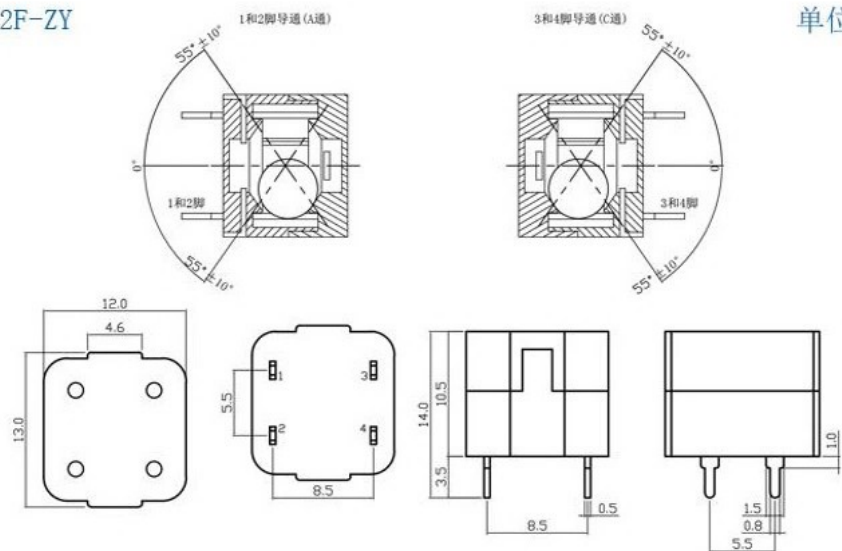
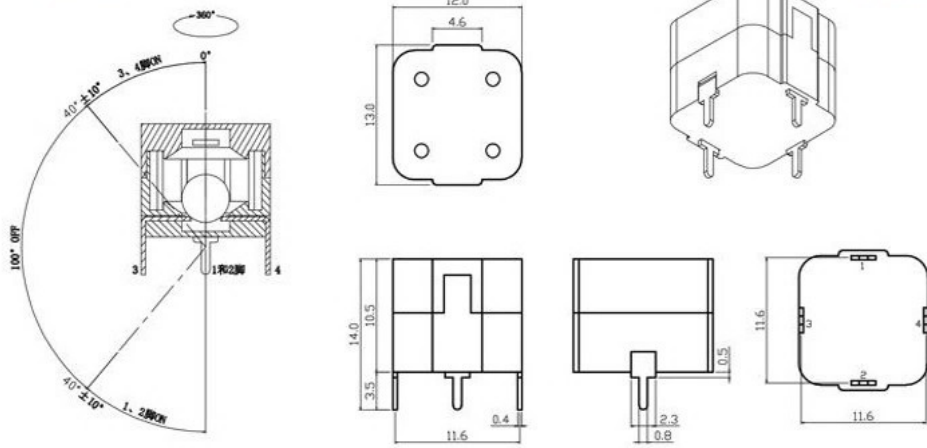
A

2F-SX

单位: mm

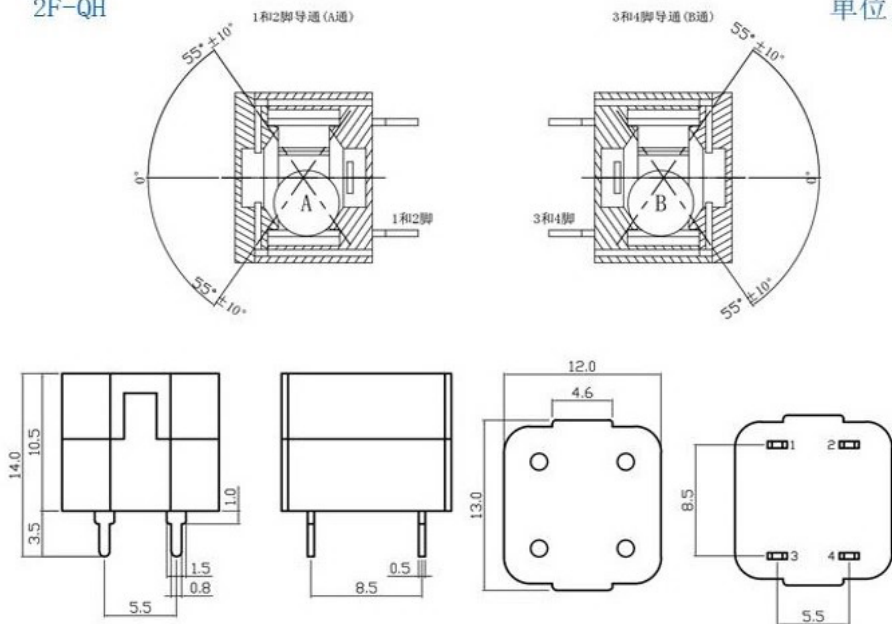
2F-ZY

单位: mm



2F-QH

单位: mm



1

1

2

2

3


3

4

4

 **广东科斯达电子科技有限公司**
Guangdong Keside Electronic Technology Co., Ltd.

COPYRIGHT RESERVED, PLEASE DO NOT COPY.

PART NAME		TILT SENSOR SWITCH		DRAWING	G.C.Chen	DWG.No.	SBIRB6
PART NO.				CHECK	G.C.Chen	REV.	A
	UNIT:	TOLERANCE	UP TO 5 ±0.2	APPROVAL		DATE	
	mm	OTHERWISE	ABOVE 5~30 ±0.3			SCALE	5:1
			ANGLE				
			0°±3'				

F

E

D

C

B

A