

F

E

D

C

B

A

1

1

2

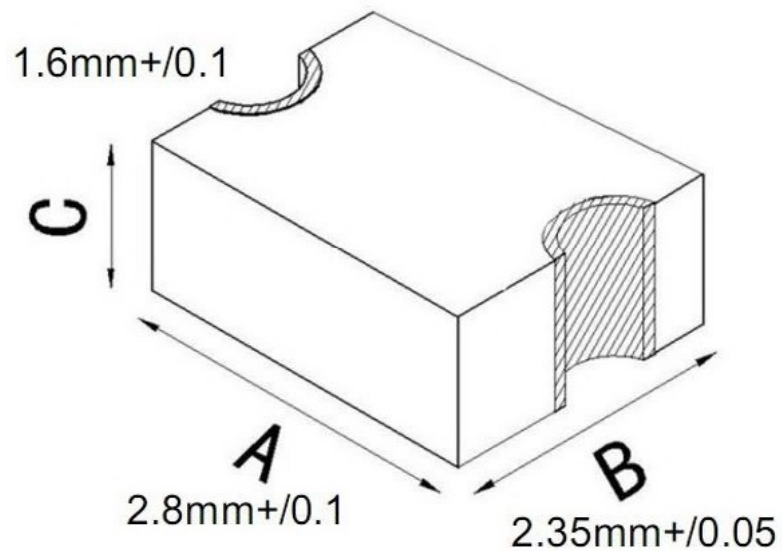
2

3

3

4

4



广东科斯达电子科技有限公司
Guang dong Keside Electronic Technology Co., Ltd.

COPYRIGHT RESERVED, PLEASE DO NOT COPY.

PART NAME		TILT SENSOR SWITCH		DRAWING	G.C.Chen	DWG.No.	SBIRB6
PART NO.				CHECK	G.C.Chen	REV.	A
	UNIT:	TOLERANCE	UP TO 5	±0.2	APPROVAL	DATE	
	mm		OTHERWISE	ABOVE 5~30			
			ABOVE 30	±0.5	SCALE	5:1	PAGE
			ANGLE	±3'			1 OF 1

F

E

D

C

B

A