

F

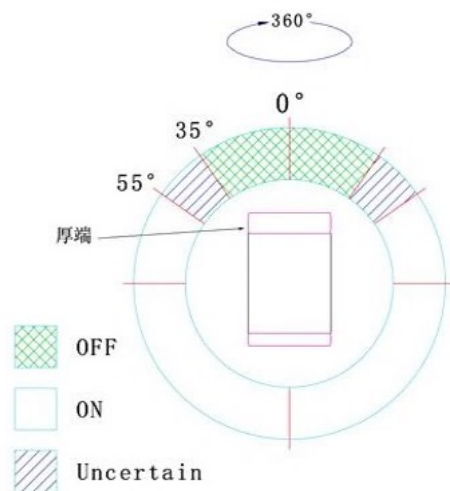
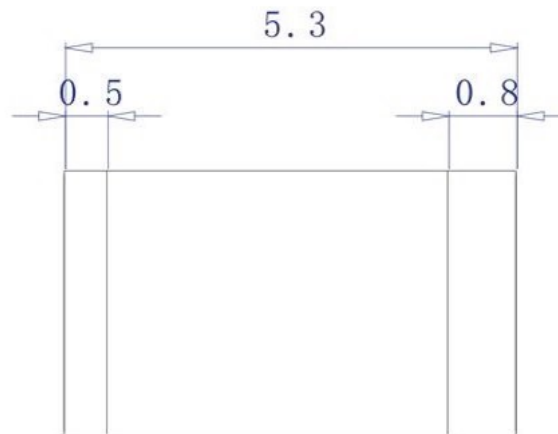
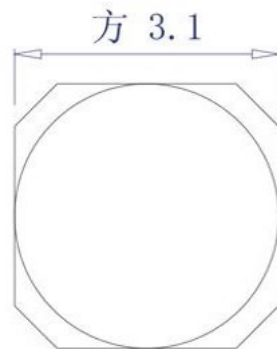
E

D

C

B

A



管体：Brass,glue

铜塞：Brass ,gold-plated

滚珠：Brass ,gold-plated

手工焊温度：350±10度

操作寿命：50,000 hours

不可使用强酸，碱性助焊剂

- ▶ 电压：<6V
- ▶ 电流：<20mA
- ▶ 导通时间：about 2ms
- ▶ 闭路电阻：<30 Ω
- ▶ 开路电阻：>10 MΩ
- ▶ 耐温:Operating: -40℃ to 80℃
- ▶ 端子拉力:500gf for 1 minute
- ▶ 湿度:95% RH, 40℃ for 24 hours



广东科斯达电子科技有限公司
Guang dong Keside Electronic Technology Co., Ltd.

COPYRIGHT RESERVED,PLEASE DO NOT COPY.

PART NAME		TILT SENSOR SWTICH		DRAWING		G.C.Chen	DWG.No.	SBIRB6
PART NO.				CHECK		G.C.Chen	REV.	A
UNIT: mm	TOLERANCE	UP TO 5	±0.2	ANGLE	APPROVAL	DATE		
	OTHERWISE	ABOVE 5~30	±0.3			SCALE	5:1	PAGE
		ABOVE 30	±0.5	0°±3'				
		ANGLE	±3'					

F

E

D

C

B

A