

F

E

D

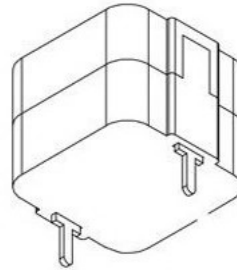
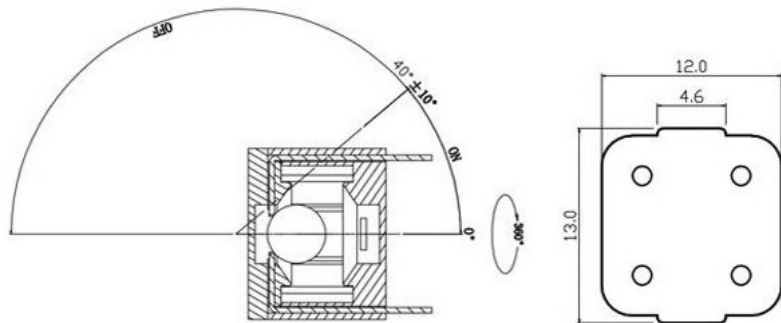
C

B

A

1

1



开关外壳：耐高温塑胶

开关功能：ON/OFF

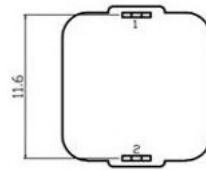
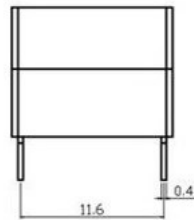
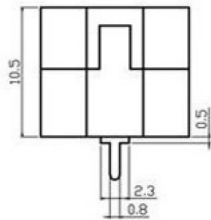
BL-1F为一组输出倾斜开关10-40度触发单方向功能

BL-1F合适水平安装型PCB安装

操作寿命：100,000周期以上

2

2



PCB Hole Layout

- ▶ 电压：<12V
- ▶ 电流：<20mA
- ▶ 导通时间：about 2ms
- ▶ 闭路电阻：<10 ohm
- ▶ 开路电阻：>10M ohm
- ▶ 耐温:Operating: -40℃ to 80℃
- ▶ 端子拉力:500gf for 1 minute
- ▶ 湿度:95% RH, 40℃ for 96 hours

3

3

4

4



广东科斯达电子科技有限公司
Guang dong Keside Electronic Technology Co., Ltd.

COPYRIGHT RESERVED, PLEASE DO NOT COPY.

PART NAME		TILT SENSOR SWTICH		DRAWING	G.C.Chen	DWG.No.	SBIRB6
PART NO.				CHECK	G.C.Chen	REV.	A
UNIT: mm	TOLERANCE	UP TO 5	±0.2	APPROVAL	DATE		
	OTHERWISE	ABOVE 5~30	±0.3				
		ABOVE 30	±0.5			PAGE	1 OF 1
		ANGLE	±3'				

F

E

D

C

B

A