

F

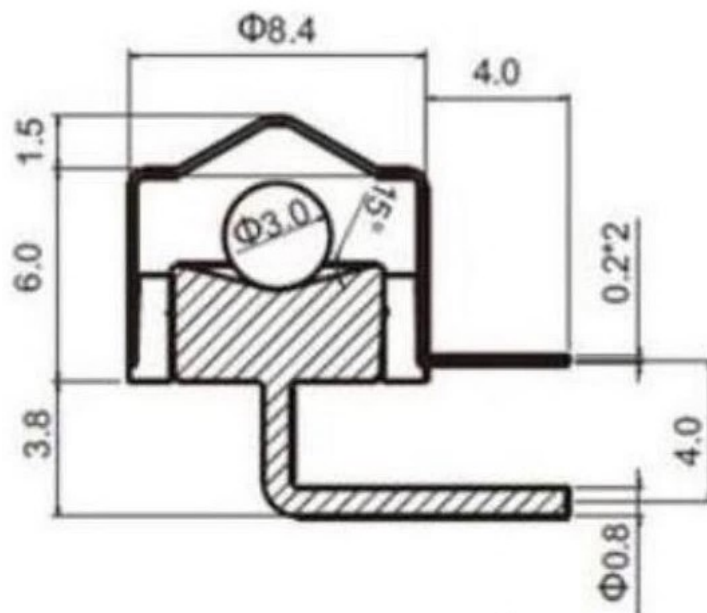
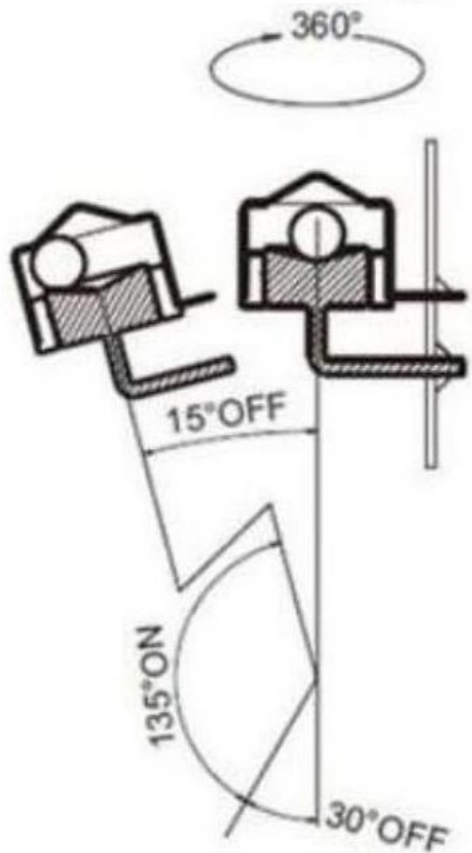
E

D

C

B

A



广东科斯达电子科技有限公司
Guang dong Keside Electronic Technology Co., Ltd.

COPYRIGHT RESERVED, PLEASE DO NOT COPY.

PART NAME		TILT SENSOR SWTICH		DRAWING		G.C.Chen	DWG.No.	SBIRB6
PART NO.				CHECK		G.C.Chen	REV.	A
UNIT: mm	TOLERANCE	UP TO 5	±0.2	ANGLE	APPROVAL	DATE		
	OTHERWISE	ABOVE 5~30	±0.3			0°±3'	SCALE	5:1
		ABOVE 30	±0.5					
		ANGLE	±3'					

F

E

D

C

B

A