

F

E

D

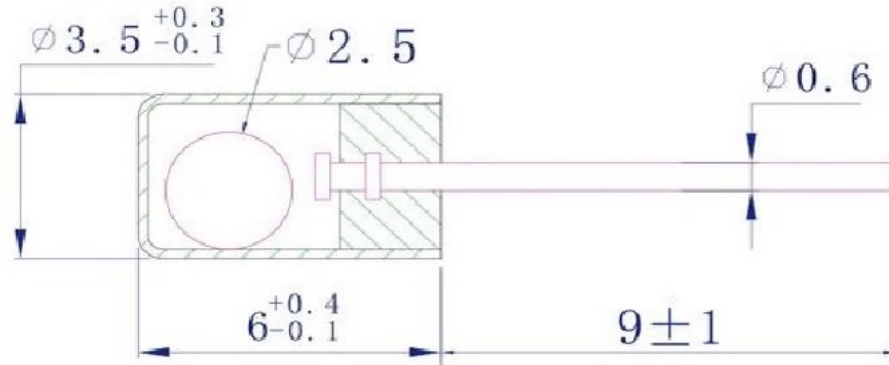
C

B

A

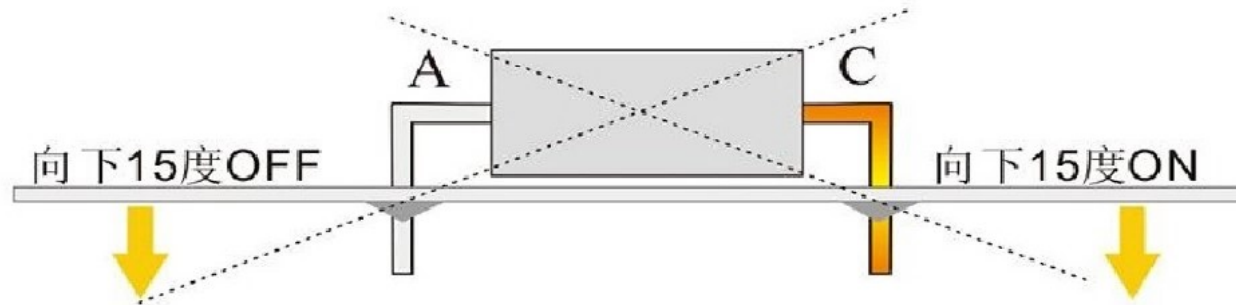
1

1



2

2



3

3

- ▶ 电压: 1-6V
- ▶ 电流: <20mA
- ▶ 导通时间: about 2ms
- ▶ 闭路电阻: <10 Ω
- ▶ 开路电阻: >10 MΩ
- ▶ 耐温: Operating: -40°C to 80°C
- ▶ 端子拉力: 500gf for 1 minute
- ▶ 湿度: 95% RH, 40°C for 96 hours

4

4

铜管	导针	滚珠	封口胶粒	手工焊温度	操作寿命
黄铜,镀银	黄铜,镀金	黄铜,镀银	耐高温尼龙	330±10度	10万次



广东科斯达电子科技有限公司
Guang dong Keside Electronic Technology Co., Ltd.

COPYRIGHT RESERVED, PLEASE DO NOT COPY.

PART NAME

TILT SENSOR SWITCH

DRAWING

G.C.Chen

DWG.No.

SBIRB6

PART NO.

CHECK

G.C.Chen

REV.

A



UNIT:

TOLERANCE
OTHERWISE

UP TO 5	±0.2	ANGLE 0°±3'
ABOVE 5~30	±0.3	
ABOVE 30	±0.5	
ANGLE	±3'	

APPROVAL

DATE

SCALE

5:1

PAGE

1 OF 1

F

E

D

C

B

A