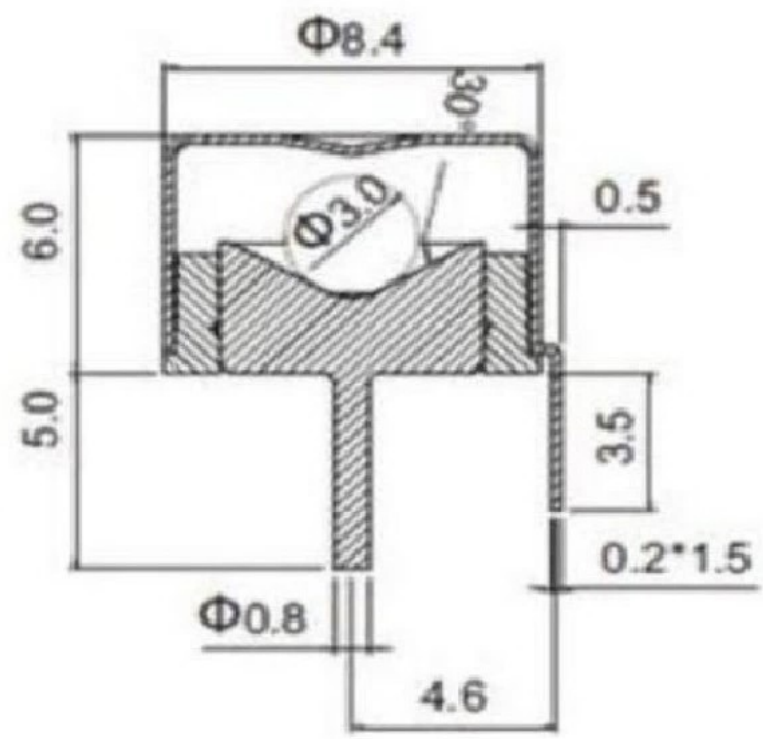
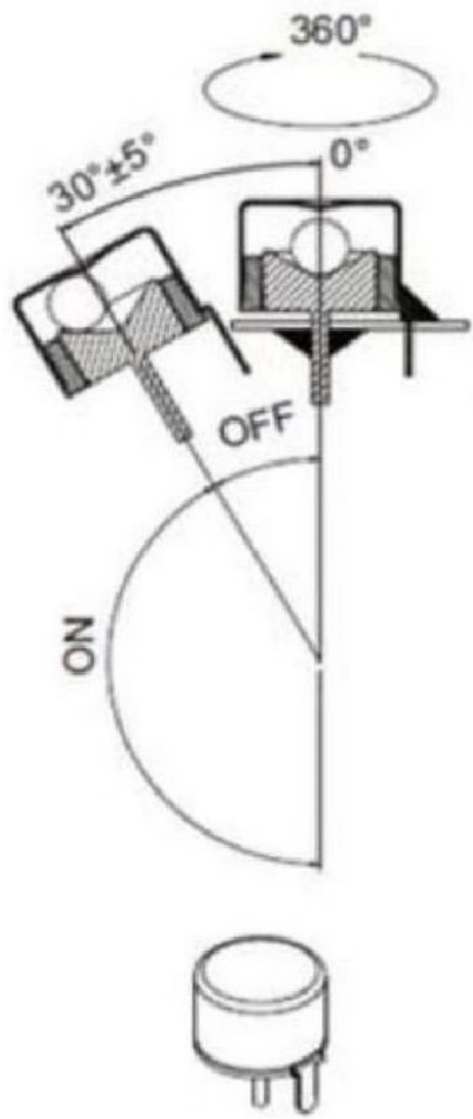


F E D C B A

1
2
3
4



 **广东科斯达电子科技有限公司**
Guangdong Keside Electronic Technology Co., Ltd.

COPYRIGHT RESERVED, PLEASE DO NOT COPY.

PART NAME		TILT SENSOR SWITCH		DRAWING	G.C.Chen	DWG.No.	SBIRB6
PART NO.				CHECK	G.C.Chen	REV.	A
	UNIT:	TOLERANCE	UP TO 5	±0.2	APPROVAL	DATE	
	mm		ABOVE 5~30	±0.3			
		OTHERWISE	ABOVE 30	±0.5	SCALE	PAGE	1 OF 1
			ANGLE	±3'	5:1		

F E D C B A