

F

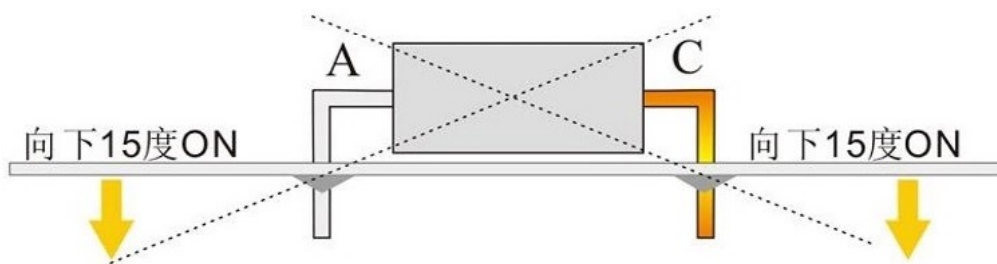
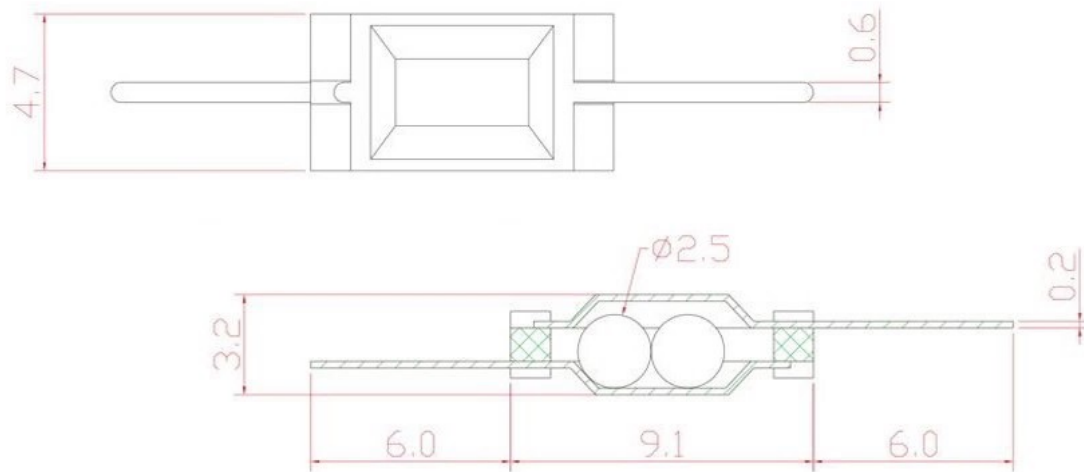
E

D

C

B

A



铜片	本体胶件	滚珠	热收缩管	焊接温度	操作寿命
黄铜镀银	耐高温尼龙	不锈钢珠二粒 镀银	PET,黑色	280°C±10°C	10万次

- ▶ 电压: 1.5V-12V
- ▶ 电流: <20mA
- ▶ 导通时间: about 2ms
- ▶ 闭路电阻: <10 Ω
- ▶ 开路电阻: >10 MΩ
- ▶ 耐温: Operating: -40°C to 80°C
- ▶ 端子拉力: 500gf for 1 minute
- ▶ 湿度: 95% RH, 40°C for 96 hours



广东科斯达电子科技有限公司
Guang dong Keside Electronic Technology Co., Ltd.

COPYRIGHT RESERVED, PLEASE DO NOT COPY.

PART NAME		TILT SENSOR SWITCH		DRAWING	G.C.Chen	DWG.No.	SBIRB6
PART NO.				CHECK	G.C.Chen	REV.	A
UNIT: mm	TOLERANCE	UP TO 5	±0.2	APPROVAL	DATE		
	OTHERWISE	ABOVE 5~30	±0.3				
		ABOVE 30	±0.5	SCALE	5:1	PAGE	1 OF 1
		ANGLE	±3'				

F

E

D

C

B

A