

F

E

D

C

B

A

1

2

3

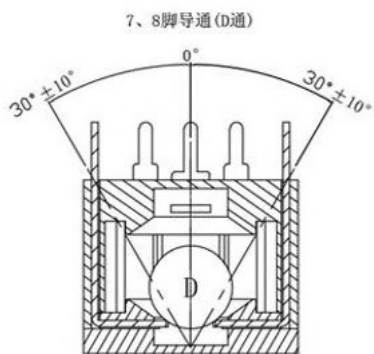
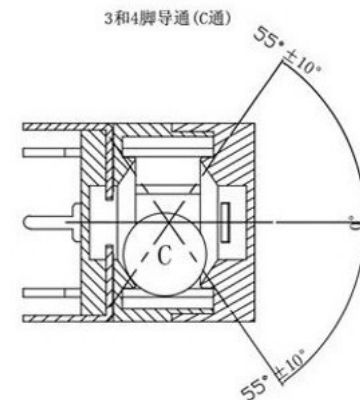
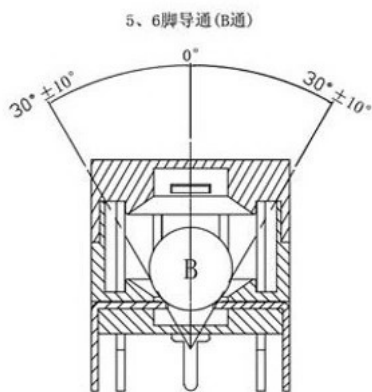
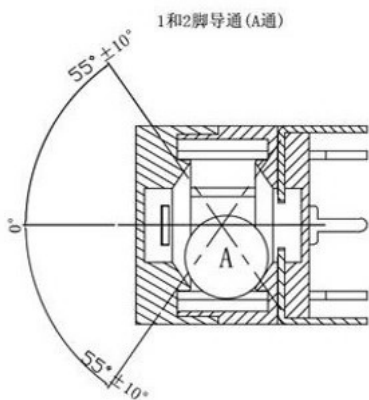
4

1

2

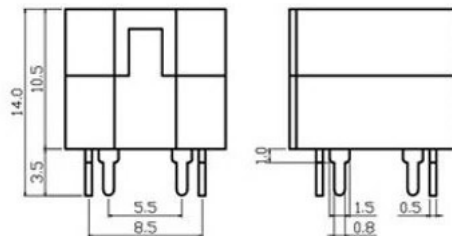
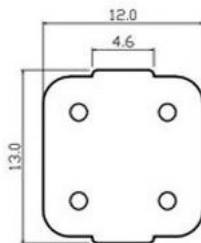
3

4



■ SIZE尺寸

Unit: mm,
Tolerance ± 0.15



广东科斯达电子科技有限公司
Guang dong Keside Electronic Technology Co., Ltd.

COPYRIGHT RESERVED, PLEASE DO NOT COPY.

PART NAME		TILT SENSOR SWITCH		DRAWING		G.C.Chen	DWG.No.	SBIRB6
PART NO.				CHECK		G.C.Chen	REV.	A
UNIT:	TOLERANCE	OTHERWISE	UP TO 5	± 0.2	ANGLE	APPROVAL	DATE	
			ABOVE 5~30	± 0.3				
mm			ABOVE 30	± 0.5	$0^{\circ} \pm 3'$	SCALE	PAGE	1 OF 1
			ANGLE	$\pm 3'$		5:1		

F

E

D

C

B

A