

F

E

D

C

B

A

1

1

2

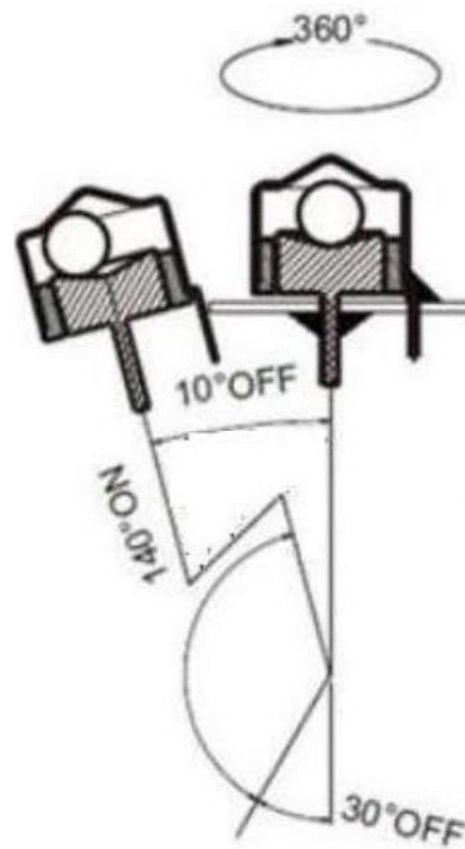
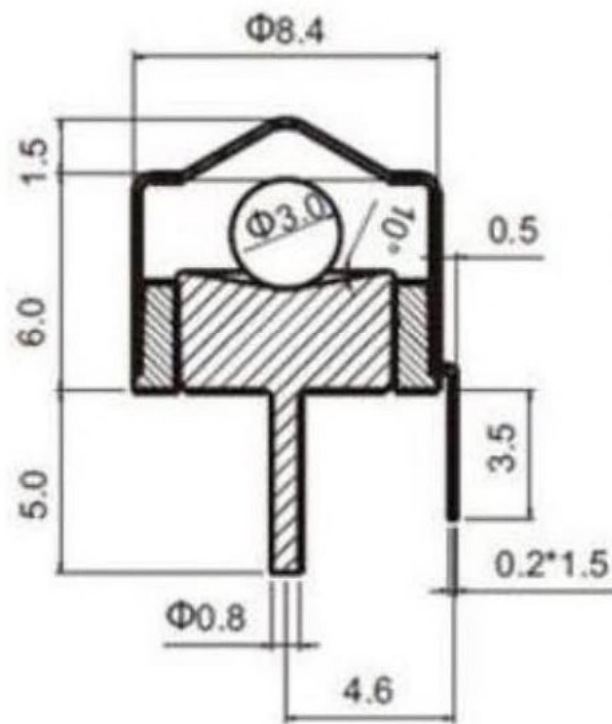
2

3

3

4

4



广东科斯达电子科技有限公司
Guangdong Keside Electronic Technology Co., Ltd.

COPYRIGHT RESERVED, PLEASE DO NOT COPY.

PART NAME		TILT SENSOR SWITCH		DRAWING	G.C.Chen	DWG.No.	SBIRB6
PART NO.				CHECK	G.C.Chen	REV.	A
UNIT: mm	TOLERANCE	UP TO 5	± 0.2	APPROVAL		DATE	
	OTHERWISE	ABOVE 5~30	± 0.3			ANGLE	$0' \pm 3'$
		ABOVE 30	± 0.5	SCALE	5:1		
		ANGLE	$\pm 3'$				

F

E

D

C

B

A