

F

E

D

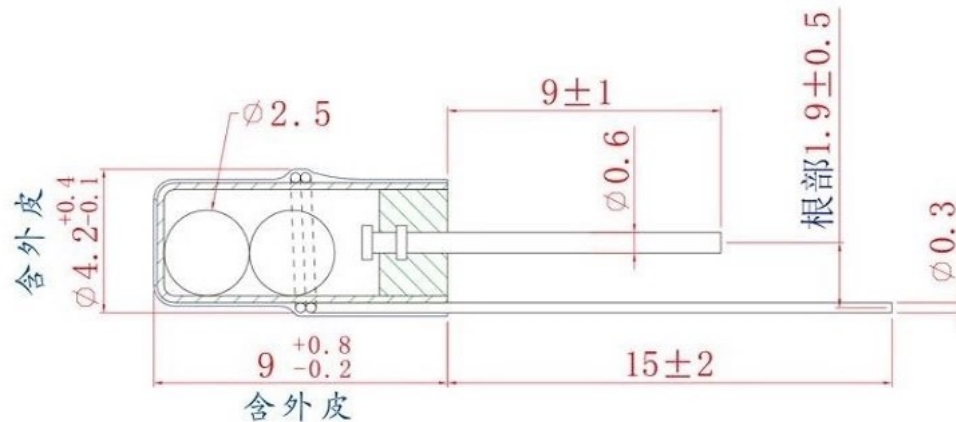
C

B

A

1

1



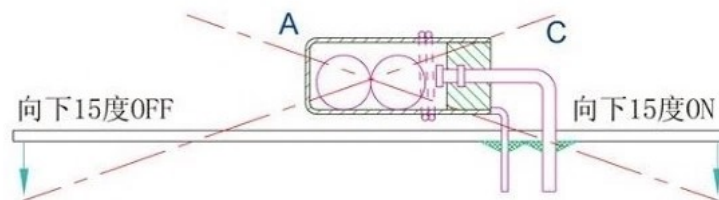
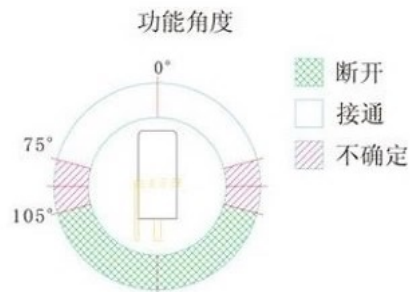
2

2

|                        |             |               |               |      |                |      |
|------------------------|-------------|---------------|---------------|------|----------------|------|
| 带引线铜管                  | 导针          | 滚珠            | 热收缩管          | 封口胶粒 | 手工焊温度          | 操作寿命 |
| 镀银黄铜管<br>引线为铜线<br>表面镀锡 | 黄铜线<br>表面镀金 | 不锈钢<br>珠二粒,镀银 | 黑色<br>PET热收缩管 | 耐温尼龙 | $330 \pm 10$ 度 | 10万次 |

3

3



- ▶ 电压: 1-6V
- ▶ 电流: <20mA
- ▶ 导通时间: about 2ms
- ▶ 闭路电阻: <10  $\Omega$
- ▶ 开路电阻: >10 M $\Omega$
- ▶ 耐温: Operating:  $-40^\circ\text{C}$  to  $80^\circ\text{C}$
- ▶ 端子拉力: 500gf for 1 minute
- ▶ 湿度: 95% RH,  $40^\circ\text{C}$  for 96 hours

4

4

 **广东科斯达电子科技有限公司**  
Guangdong Keside Electronic Technology Co., Ltd.

|             |           |                    |           |         |          |         |        |
|-------------|-----------|--------------------|-----------|---------|----------|---------|--------|
| PART NAME   |           | TILT SENSOR SWITCH |           | DRAWING | G.C.Chen | DWG.No. | SBIRB6 |
| PART NO.    |           |                    |           | CHECK   | G.C.Chen | REV.    | A      |
| UNIT:<br>mm | TOLERANCE | UP TO 5            | $\pm 0.2$ | ANGLE   | APPROVAL | DATE    |        |
|             | OTHERWISE | ABOVE 5~30         | $\pm 0.3$ |         |          | SCALE   | 5:1    |

COPYRIGHT RESERVED, PLEASE DO NOT COPY.

F

E

D

C

B

A