

F

E

D

C

B

A

1

2

3

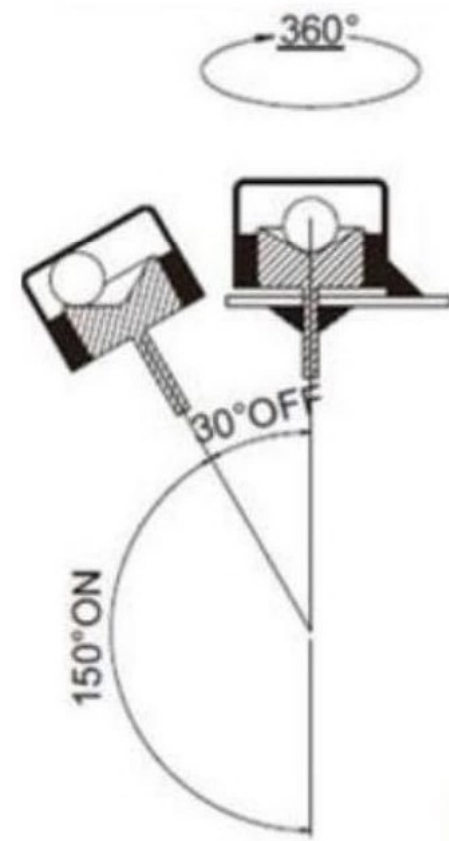
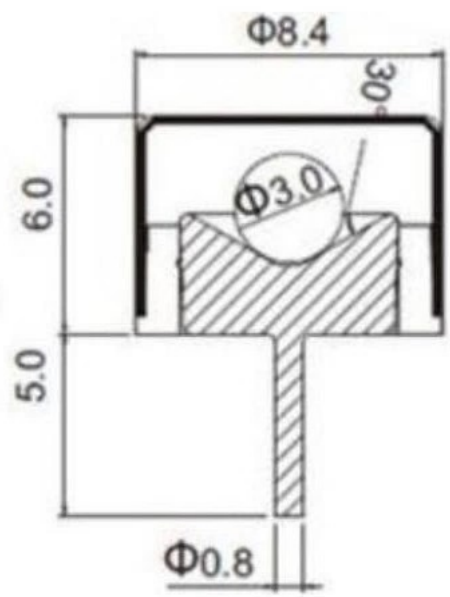
4

1

2

3

4



 **广东科斯达电子科技有限公司**
Guangdong Keside Electronic Technology Co., Ltd.

COPYRIGHT RESERVED, PLEASE DO NOT COPY.

PART NAME		TILT SENSOR SWITCH		DRAWING	G.C.Chen	DWG.No.	SBIRB6
PART NO.				CHECK	G.C.Chen	REV.	A
UNIT: mm	TOLERANCE	UP TO 5	±0.2	APPROVAL	DATE		PAGE
	OTHERWISE	ABOVE 5~30	±0.3		SCALE	5:1	
		ABOVE 30	±0.5				
		ANGLE	0°±3'				

F

E

D

C

B

A