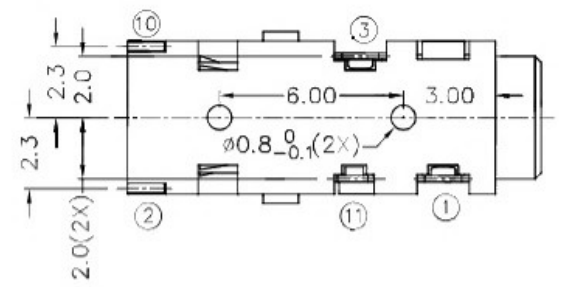
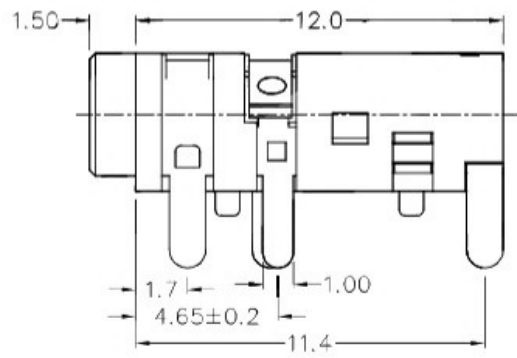
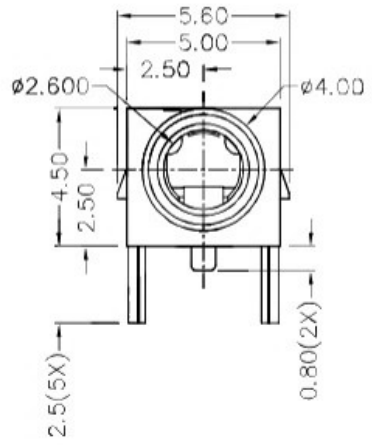
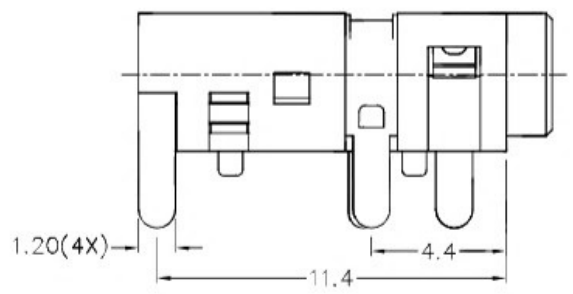
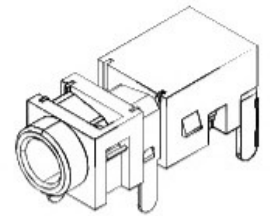
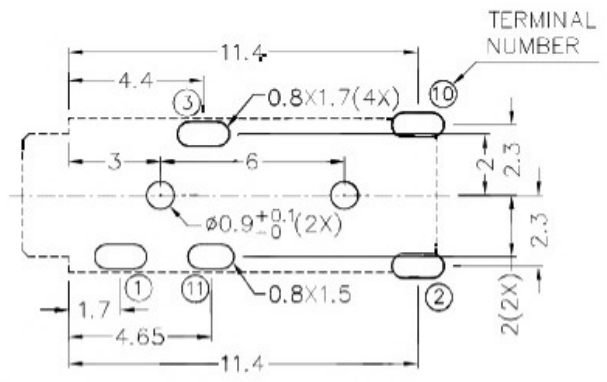


C		B		A	
ZONE	SYMBOL	REVISION	APPROVAL	DATE	

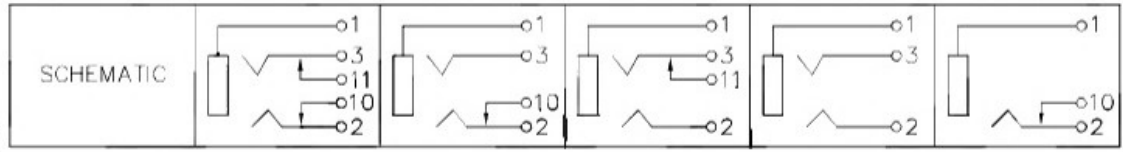
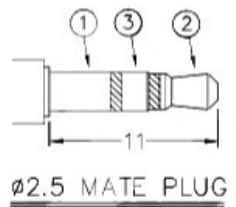
RoHS
Compliant



*** MATERIAL**
 TERMINAL 1 : COPPER ALLOY
 TERMINAL 2 : COPPER ALLOY
 TERMINAL 3 : COPPER ALLOY
 TERMINAL 10 : BRASS
 TERMINAL 11 : BRASS
 HOUSING : THERMOPLASTIC



RECOMMENDED PCB LAYOUT
 TOLERANCE: ±0.05
 (TOP VIEW)



广东科斯达开关厂

PART NAME		2.5mm STEREO JACK		TOLERANCE UNLESS		0.0±0.2		UNIT:		DESIGN		T.Y.LI		DATE		10-1-2007		SCALE		4:1	
PART NO.		TG-291		OTHERWISE SPECIFIED:		0.00±0.1		mm		DRAWING		J.H.ZHOU		DATE		9-3-2017		MATERIAL		*	
										CHECK		H.L.TAN		DATE		9-3-2017		DWG. NO.		TZ\TG291-B/1.0	
										APPROVAL				DATE				SHEET			

F E D C B A