

F

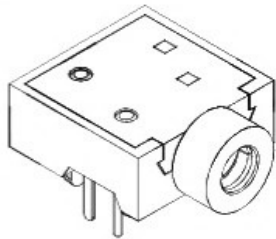
E

D

C

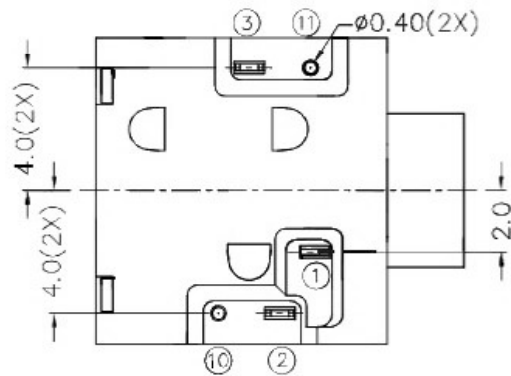
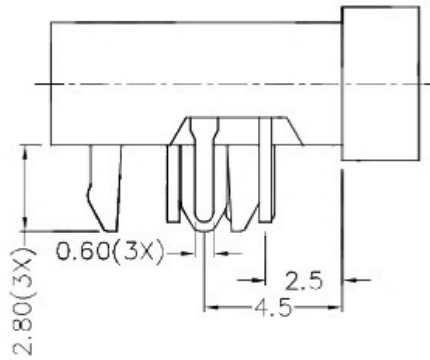
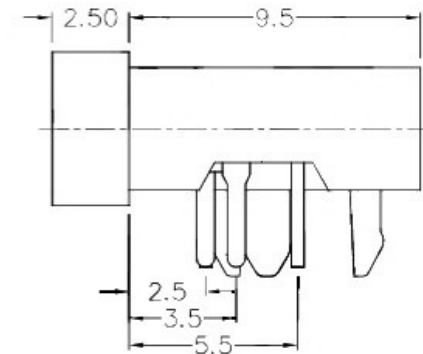
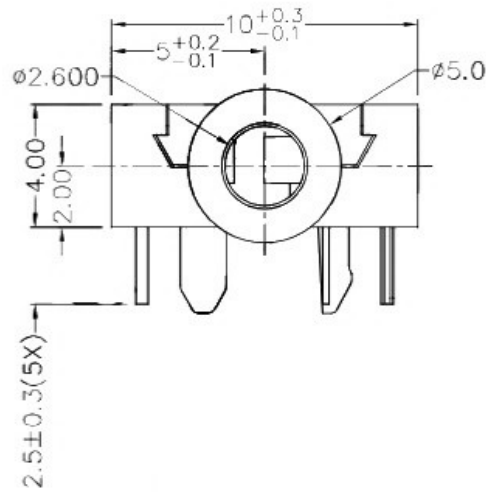
B

A



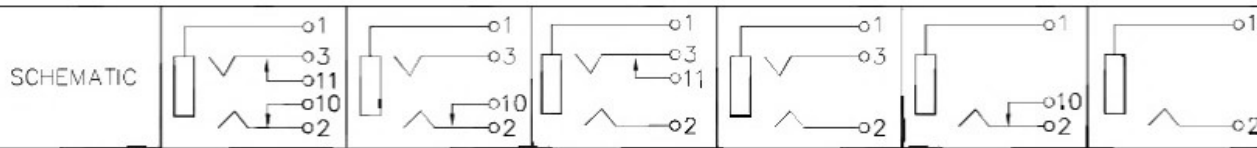
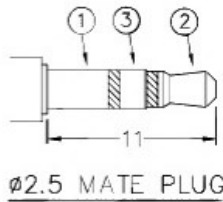
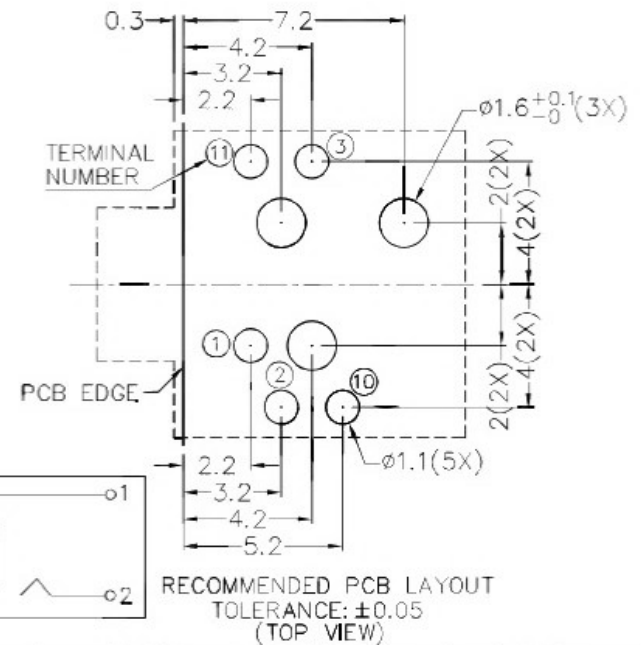
RoHS
Compliant

ZONE	SYMBOL	REVISION	APPROVAL	DATE



* MATERIAL

TERMINAL 1 : BRASS
 TERMINAL 2 : COPPER ALLOY
 TERMINAL 3 : COPPER ALLOY
 TERMINAL 10 : COPPER ALLOY
 TERMINAL 11 : COPPER ALLOY
 BUSHING : THERMOPLASTIC
 HOUSING : THERMOPLASTIC
 COVER : THERMOPLASTIC



广东科斯达开关厂

DESIGN	J.M.KWAN	DATE	5-12-2003	SCALE	4:1
DRAWING	H.Q.ZHOU	DATE	28-2-2017	MATERIAL	*
CHECK	T.Y.LI	DATE	28-2-2017	DWG. NO.	TZ\TG260P-B/1.0
APPROVAL		DATE		SHEET	

PART NAME	2.5mm STEREO JACK	TOLERANCE UNLESS	0.0±0.2	UNIT:	mm
PART NO.	TG-260P	OTHERWISE SPECIFIED:	0.00±0.1 0.000±0.05		

F

E

D

C

B

A