

F

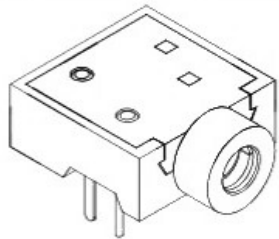
E

D

C

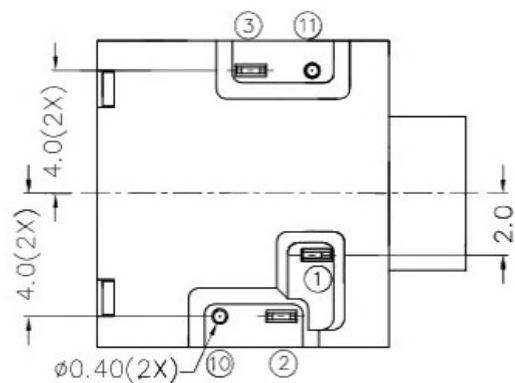
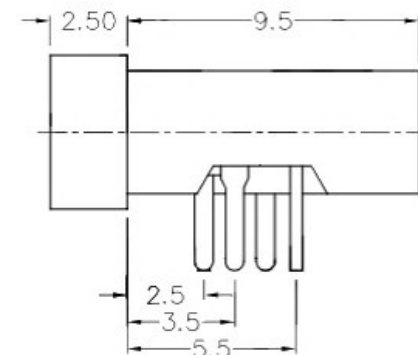
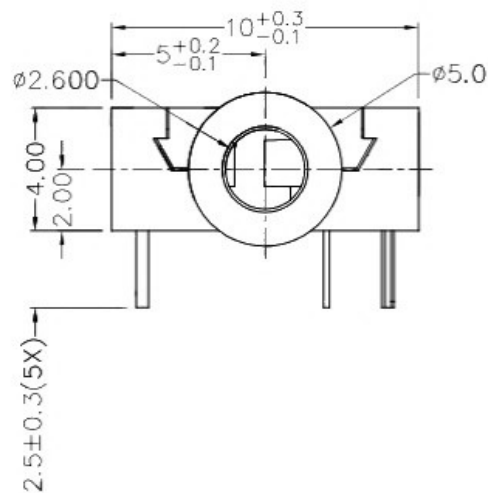
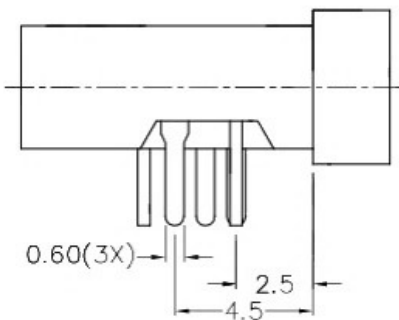
B

A



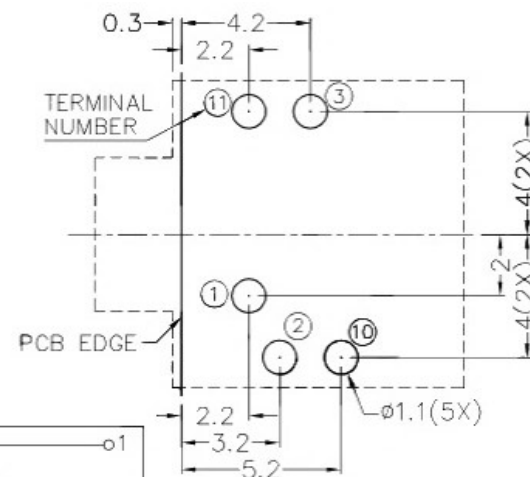
RoHS  
Compliant

ZONE	SYMBOL	REVISION	APPROVAL	DATE

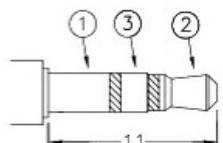


\* MATERIAL

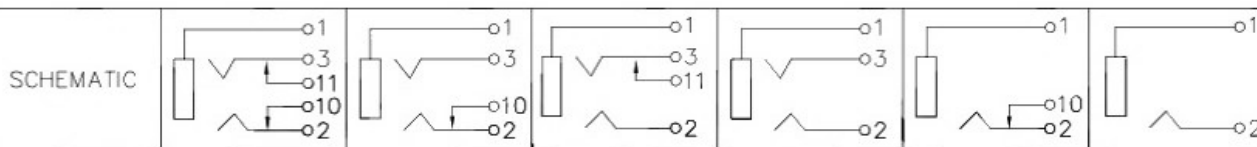
TERMINAL 1 : BRASS  
 TERMINAL 2 : COPPER ALLOY  
 TERMINAL 3 : COPPER ALLOY  
 TERMINAL 10 : COPPER ALLOY  
 TERMINAL 11 : COPPER ALLOY  
 BUSHING : THERMOPLASTIC  
 HOUSING : THERMOPLASTIC  
 COVER : THERMOPLASTIC



RECOMMENDED PCB LAYOUT  
 TOLERANCE: ±0.05  
 (TOP VIEW)



2.5 MATE PLUG



广东科斯达开关厂

DESIGN	J.M.KWAN	DATE	5-12-2003	SCALE	4:1
DRAWING	H.Q.ZHOU	DATE	1-3-2017	MATERIAL	*
CHECK	T.Y.LI	DATE	1-3-2017	DWG. NO.	TZ\TG265P-B/1.0
APPROVAL		DATE		SHEET	

PART NAME	2.5mm STEREO JACK	TOLERANCE UNLESS	0.0±0.2	UNIT:
PART NO.		OTHERWISE SPECIFIED:	0.00±0.1 0.000±0.05	

F

E

D

C

B

A