

F

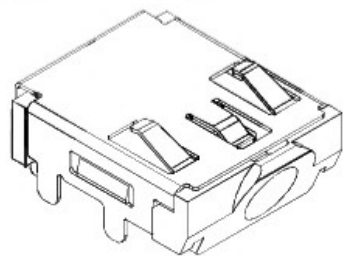
E

D

C

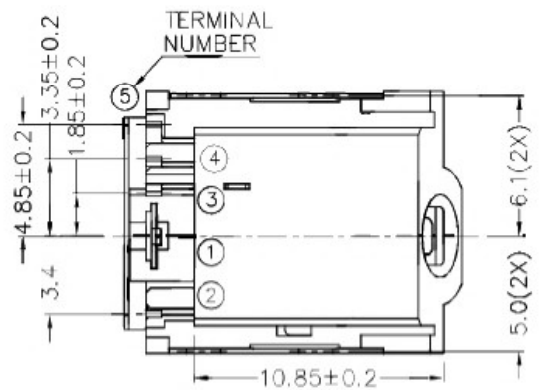
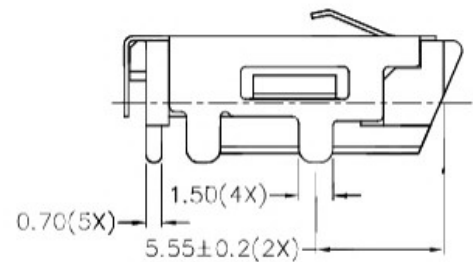
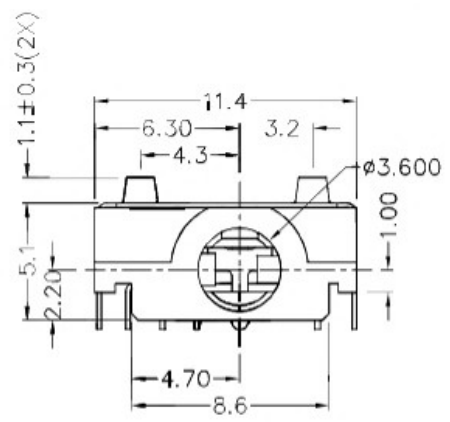
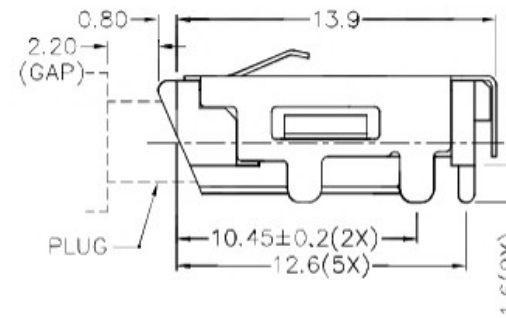
B

A

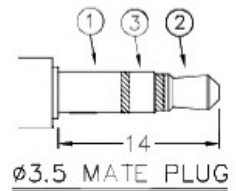
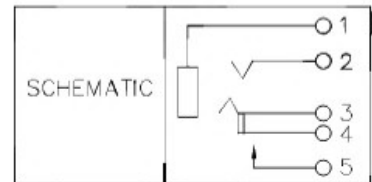
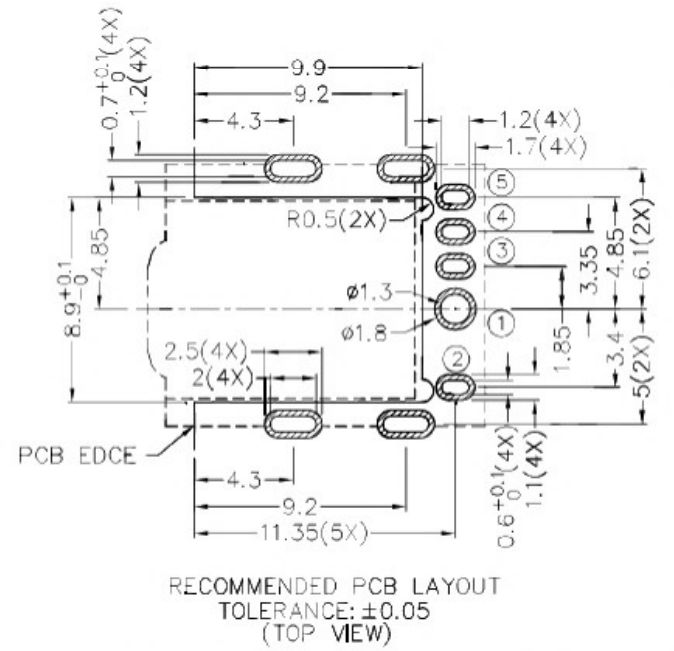


RoHS  
Compliant

ZONE	SYMBOL	REVISION	APPROVAL	DATE



- \* MATERIAL
- TERMINAL 1 : COPPER ALLOY
  - TERMINAL 2 : COPPER ALLOY
  - TERMINAL 3 : COPPER ALLOY
  - TERMINAL 4 : COPPER ALLOY
  - TERMINAL 5 : COPPER ALLOY
  - SHIELD : COPPER ALLOY
  - HOUSING : HIGH TEMP. PLASTIC



RECOMMENDED PCB LAYOUT  
TOLERANCE: ±0.05  
(TOP VIEW)

 **广东科斯达开关厂**

DESIGN	G.P.YI	DATE	16-4-2010	SCALE	3:1
DRAWING	H.L.TAN	DATE	17-1-2017	MATERIAL	*
CHECK	T.Y.LI	DATE	17-1-2017	DWG. NO.	TZ\SH527DS-A/1.0
APPROVAL		DATE		SHEET	

PART NAME	3.5mm SMD STEREO JACK	TOLERANCE UNLESS	0.0±0.2	UNIT:	mm
PART NO.		OTHERWISE SPECIFIED:	0.00±0.1 0.000±0.05		

F

E

D

C

B

A