

F

E

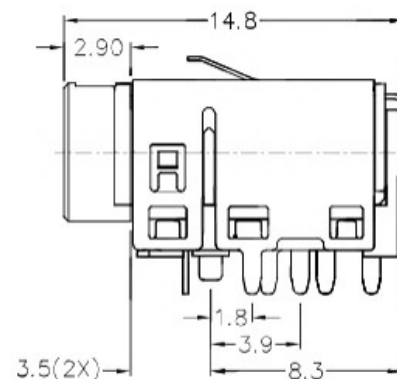
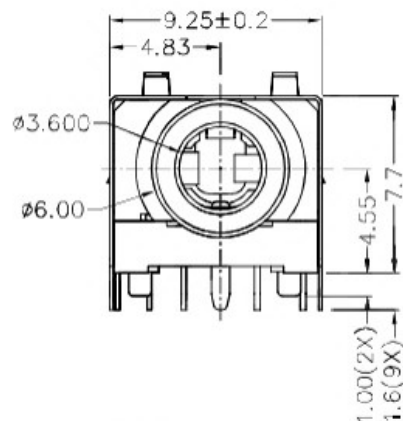
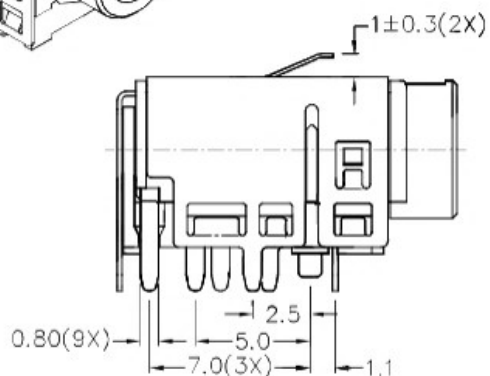
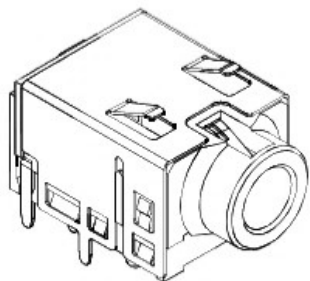
D

C

REVISION

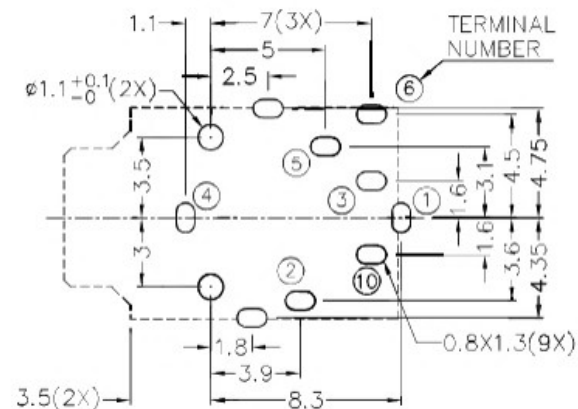
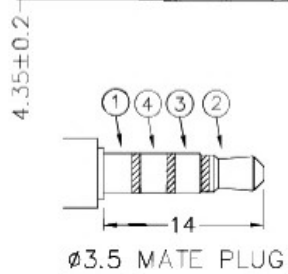
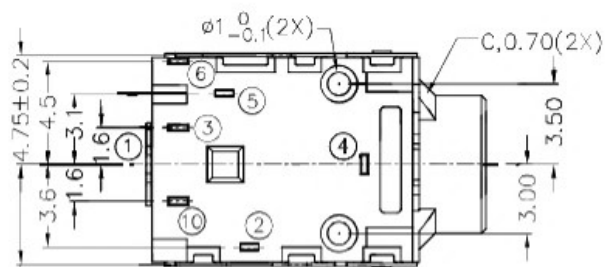
APPROVAL

DATE

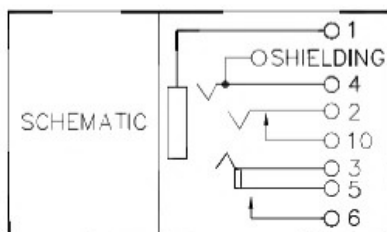
RoHS
Compliant

* MATERIAL

TERMINAL 1 : COPPER ALLOY
 TERMINAL 2 : COPPER ALLOY
 TERMINAL 3 : COPPER ALLOY
 TERMINAL 4 : COPPER ALLOY
 TERMINAL 5 : COPPER ALLOY
 TERMINAL 6 : COPPER ALLOY
 TERMINAL 10 : BRASS
 SHIELD : STAINLESS STEEL
 HOUSING : HIGH TEMP. PLASTIC
 COVER : HIGH TEMP. PLASTIC



RECOMMENDED PCB LAYOUT
TOLERANCE: ± 0.05
(TOP VIEW)



广东科斯达开关厂

DESIGN	H.L.TAN	DATE	12-5-2011	SCALE	3:1
DRAWING	J.H.ZHOU	DATE	24-11-2016	MATERIAL	*
CHECK	T.Y.LI	DATE	24-11-2016	DWG. NO.	TZ\SH514S-A/1.0
APPROVAL		DATE		SHEET	

PART NAME	3.5mm STEREO JACK	TOLERANCE UNLESS	0.0 ± 0.2	UNIT:	mm
PART NO.		OTHERWISE SPECIFIED:	0.00 ± 0.1 0.000 ± 0.05		

F

E

D

C

B

A