

F

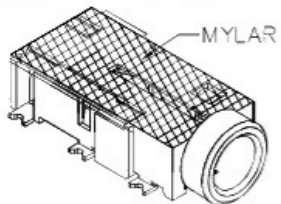
E

D

C

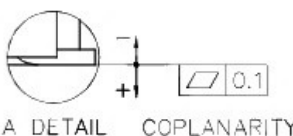
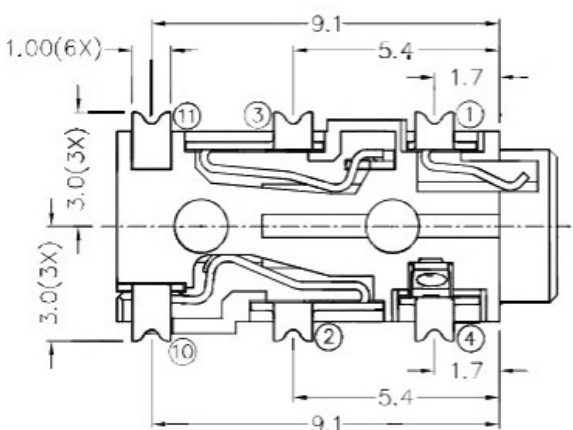
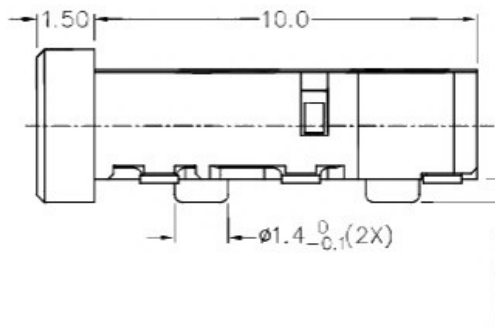
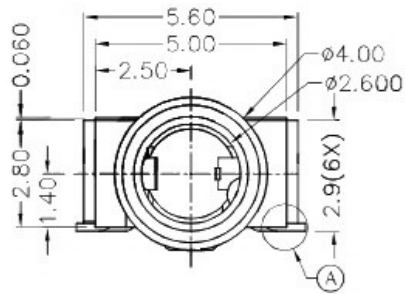
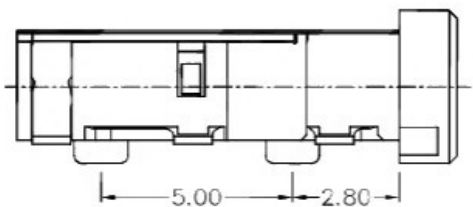
B

A

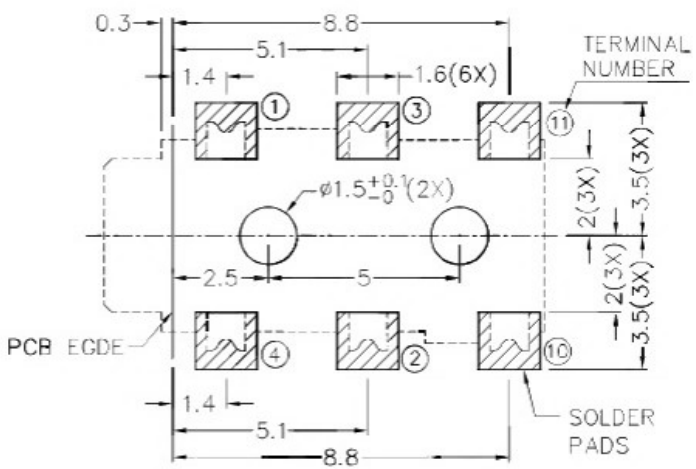


RoHS
Compliant

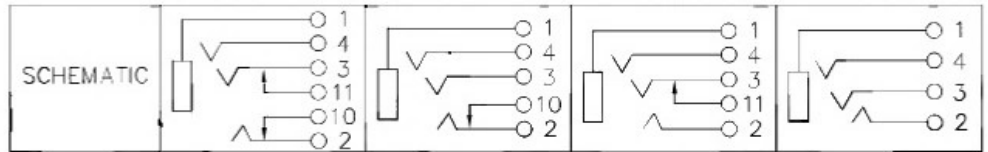
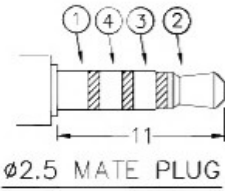
ZONE	SYMBOL	REVISION	APPROVAL	DATE



- * MATERIAL
- TERMINAL 1 : COPPER ALLOY
 - TERMINAL 2 : COPPER ALLOY
 - TERMINAL 3 : COPPER ALLOY
 - TERMINAL 4 : COPPER ALLOY
 - TERMINAL 10 : COPPER ALLOY
 - TERMINAL 11 : COPPER ALLOY
 - HOUSING : HIGH TEMP. PLASTIC
 - MYLAR : POLYIMIDE



RECOMMENDED PCB LAYOUT
TOLERANCE: ±0.05
(TOP VIEW)



广东科斯达开关厂

PART NAME	2.5mm SMD STEREO JACK	TOLERANCE UNLESS 0.0±0.2 0.00±0.1 OTHERWISE SPECIFIED: 0.000±0.05	UNIT: mm	DESIGN	T.Y.LI	DATE	9-6-2006	SCALE	5:1
				DRAWING	J.CH.OU	DATE	10-3-2017	MATERIAL	*
PART NO.				CHECK	H.L.TAN	DATE	10-3-2017	DWG. NO.	IZ\TG296D11-A/1.0
				APPROVAL		DATE		SHEET	

F

E

D

C

B

A