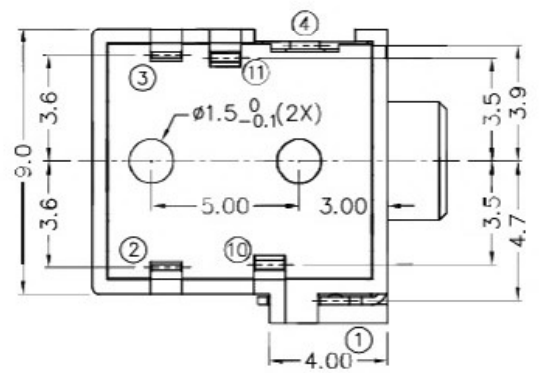
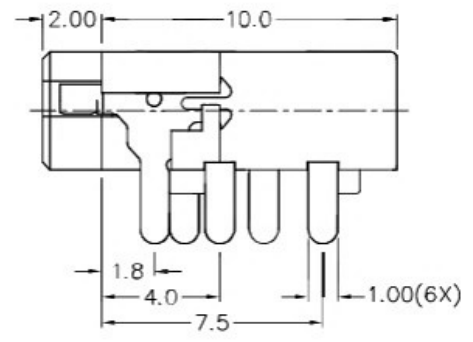
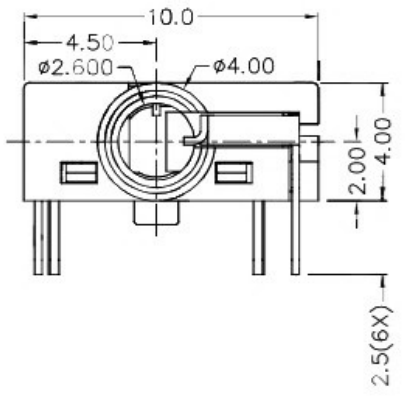
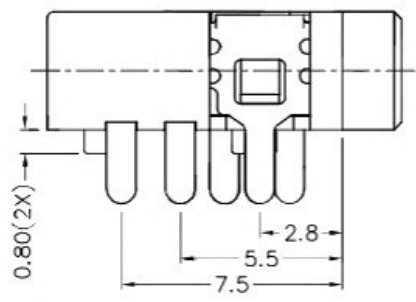
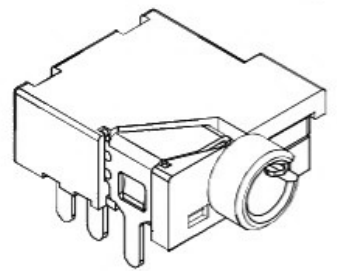


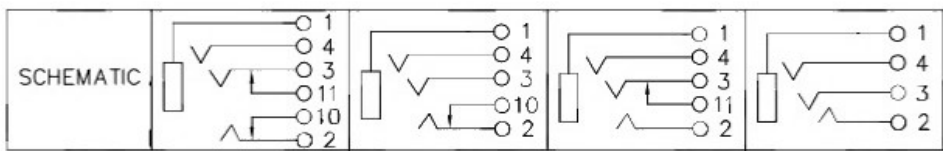
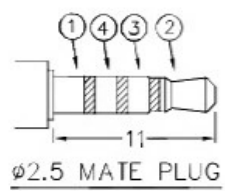
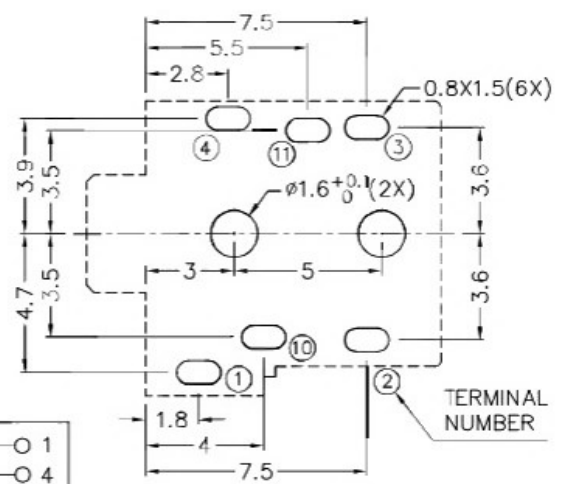
C		B		A	
ZONE	SYMBOL	REVISION		APPROVAL	DATE

RoHS
Compliant



*** MATERIAL**

- TERMINAL 1 : COPPER ALLOY
- TERMINAL 2 : COPPER ALLOY
- TERMINAL 3 : COPPER ALLOY
- TERMINAL 4 : COPPER ALLOY
- TERMINAL 10 : BRASS
- TERMINAL 11 : BRASS
- HOUSING : THERMOPLASTIC
- COVER : THERMOPLASTIC



RECOMMENDED PCB LAYOUT
TOLERANCE: ±0.05
(TOP VIEW)



DESIGN		T.Y.LI		DATE		19-12-2003		SCALE		4:1	
DRAWING		J.H.ZHOU		DATE		30-9-2016		MATERIAL		*	
CHECK		H.L.TAN		DATE		30-9-2016		DWG. NO.		TZ\TG271-B/1.0	
APPROVAL		<i>[Signature]</i>		DATE		30-9-2016		SHEET			

PART NAME	2.5mm STEREO JACK	TOLERANCE UNLESS	0.0±0.2	UNIT:
PART NO.		OTHERWISE SPECIFIED:	0.00±0.1 0.000±0.05	

F E D C B A