

F

E

D

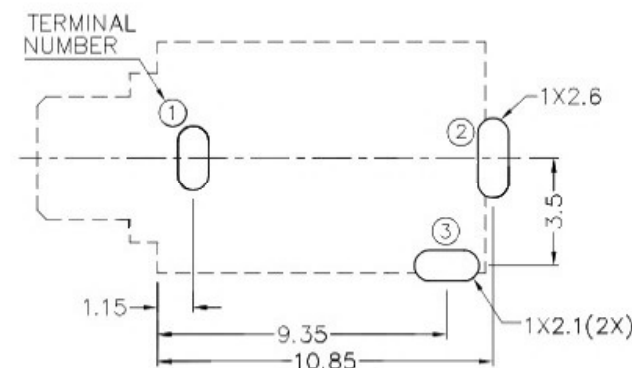
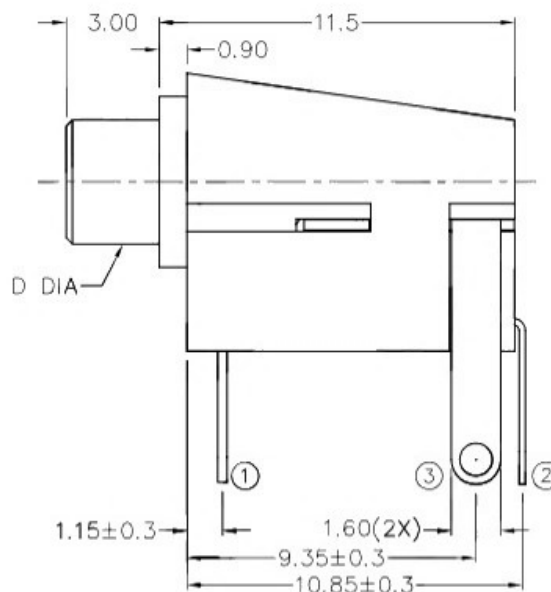
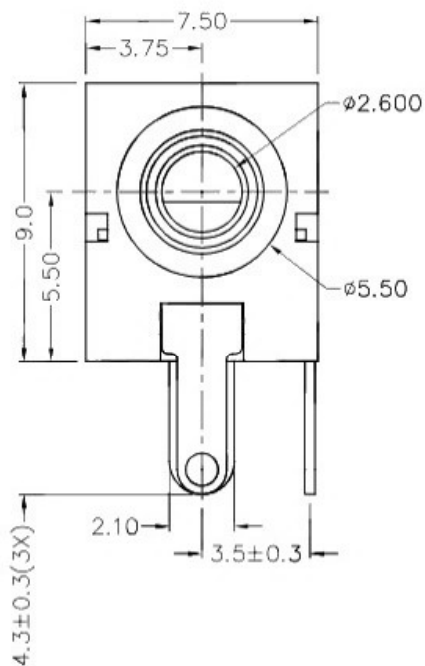
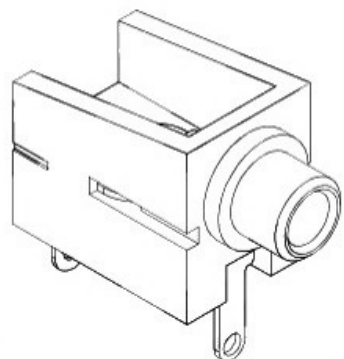
C

B

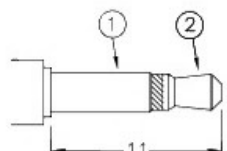
A

ZONE	SYMBOL	REVISION	APPROVAL	DATE

RoHS  
Compliant



RECOMMENDED PCB LAYOUT  
TOLERANCE: ±0.05  
(TOP VIEW)



Ø2.5 MATE PLUG

D DIA	THREADED	FLASHED
	M4X0.5	Ø4.0
SCHEMATIC		

\* MATERIAL

TERMINAL 1 : BRASS  
 TERMINAL 2 : COPPER ALLOY  
 TERMINAL 3 : BRASS  
 BUSHING : BRASS  
 HOUSING : THERMOPLASTIC

广东科斯达开关厂

DESIGN	J.X.KUANG	DATE	2-10-2003	SCALE	4:1
DRAWING	J.H.ZHOU	DATE	16-3-2017	MATERIAL	*
CHECK	T.Y.LI	DATE	16-3-2017	DWG. NO.	TZ\TH25-B/1.0
APPROVAL		DATE		SHEET	
PART NAME	2.5mm PHONE JACK		TOLERANCE UNLESS	0.0±0.2	UNIT:
PART NO.			OTHERWISE SPECIFIED:	0.00±0.1 0.000±0.05	

F

E

D

C

B

A