

F

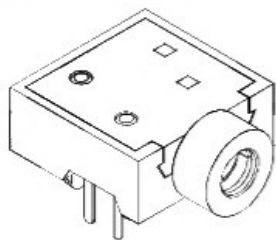
E

D

C

B

A

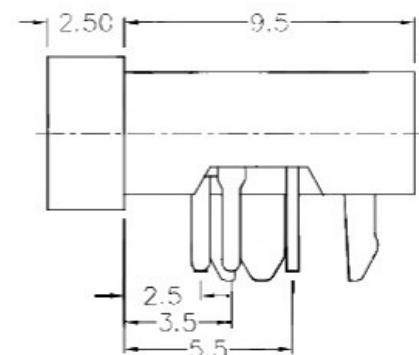
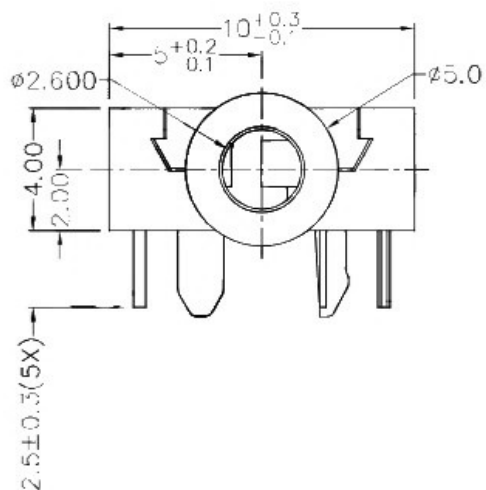
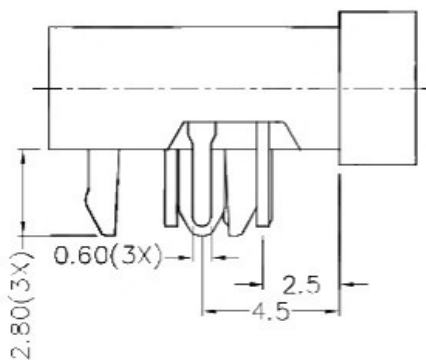


RoHS
Compliant

ZONE	SYMBOL	REVISION	A-PROVAL	DATE

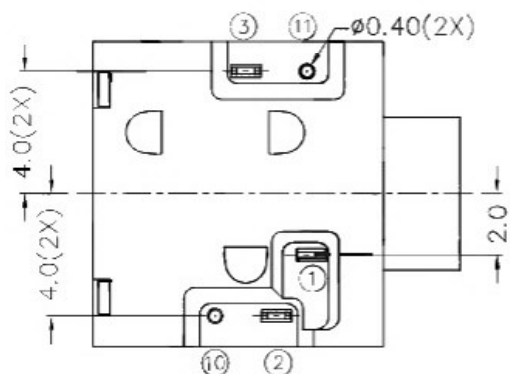
1

1



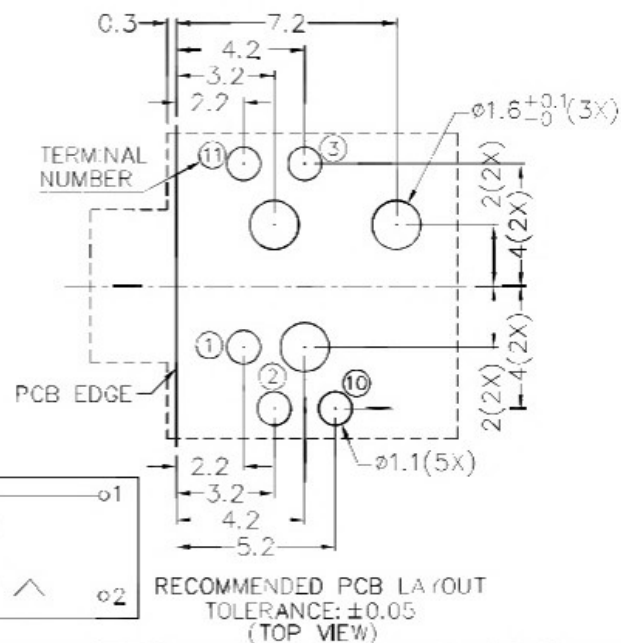
2

2



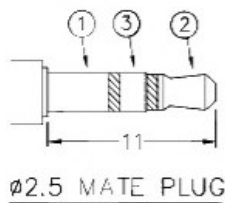
* MATERIAL

TERMINAL 1 : BRASS
 TERMINAL 2 : COPPER ALLOY
 TERMINAL 3 : COPPER ALLOY
 TERMINAL 10 : COPPER ALLOY
 TERMINAL 11 : COPPER ALLOY
 BUSHING : BRASS
 HOUSING : THERMOPLASTIC
 COVER : THERMOPLASTIC

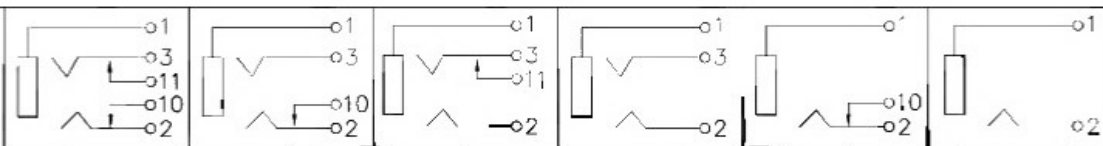


3

3



SCHEMATIC



4

4

广东科斯达开关厂

DESIGN	J.M.KWAH	DATE	5-12-2003	SCALE	4:1
DRAWING	H.Q.ZHOU	DATE	28-2-2017	MATERIAL	*
CHECK	T.Y.LI	DATE	28-2-2017	DWG. NO.	TZ\TC260-B/1.0
APPROVAL		DATE		SHEET	

PART NAME	2.5mm STEREO JACK	TOLERANCE FINISH	0.0±0.2 0.00±0.1	UNIT:	
PART NO.		OTHERWISE SPECIFIED:	0.000±0.05		

F

E

D

C

B

A