

F

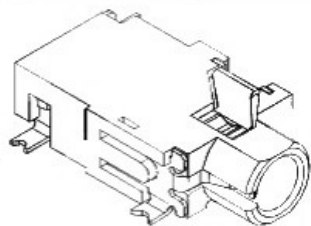
E

D

C

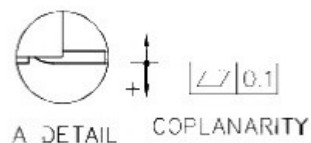
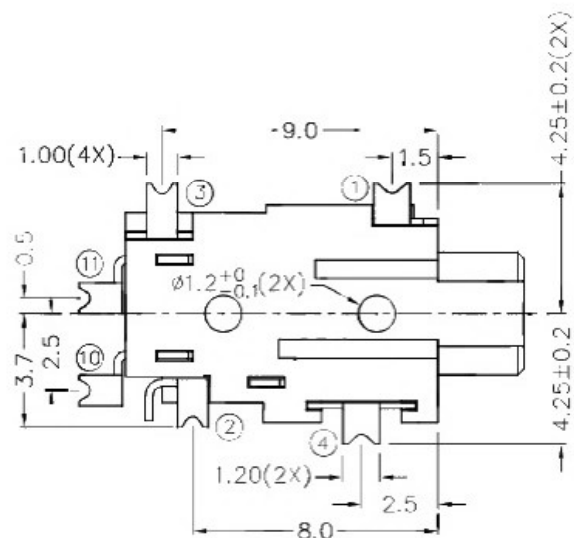
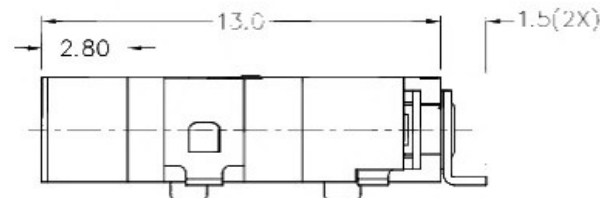
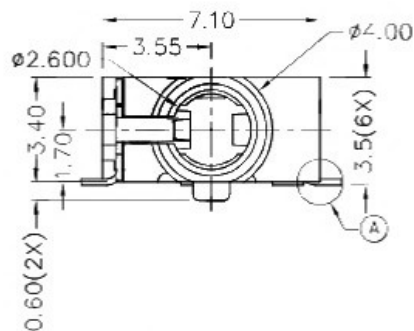
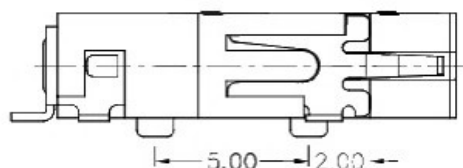
B

A



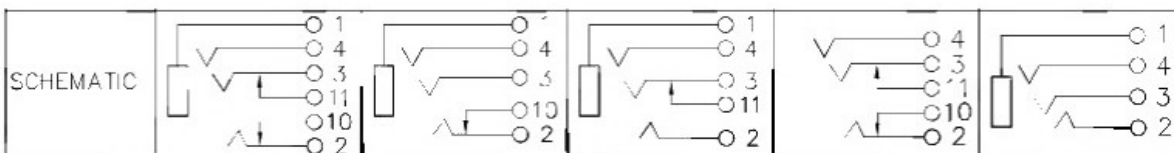
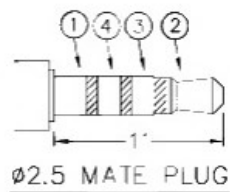
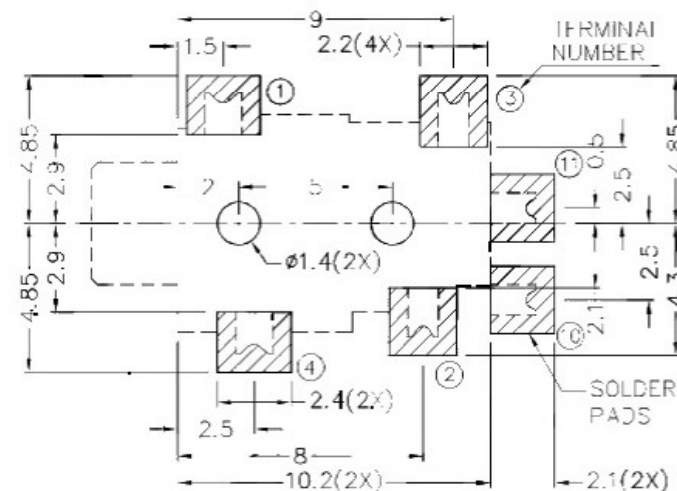
RoHS  
Compliant

ZONE	SYMBOL	REVISION	A-PROVAL	DATE



\* MATERIAL

TERMINAL 1 : COPPER ALLOY  
 TERMINAL 2 : COPPER ALLOY  
 TERMINAL 3 : COPPER ALLOY  
 TERMINAL 4 : COPPER ALLOY  
 TERMINAL 10 : BRASS  
 TERMINAL 11 : BRASS  
 HOUSING : HIGH TEMP. PLASTIC



RECOMMENDED PCB LAYOUT  
 TOLERANCE: ±0.05  
 (TOP VIEW)

广东科斯达开关厂

PART NAME 2.5mm SMD STEREO JACK  
 PART NO.

TOLERANCE UNLESS OTHERWISE SPECIFIED:  
 0.0±0.2  
 0.00±0.1  
 0.000±0.05

UNIT: mm

DESIGN	J.X.KUANG	DATE	11-5-2004	SCALE	4:1
DRAWING	T.Y.LI	DATE	3-3-2017	MATERIAL	*
CHECK	H.I.TAN	DATE	3-3-2017	DWG. NO.	Z\TC279D-A/1.0
APPROVAL		DATE		SHEET	

F

E

D

C

B

A