

F

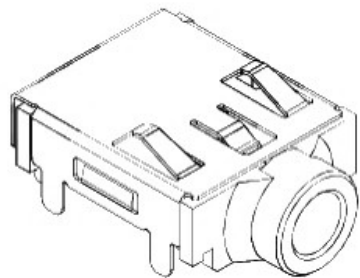
E

D

C

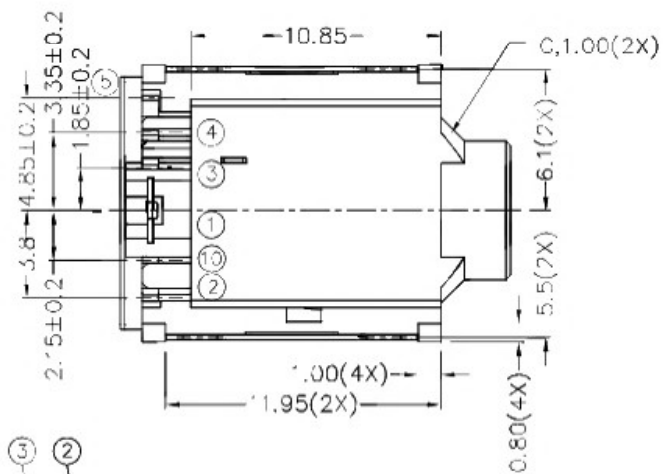
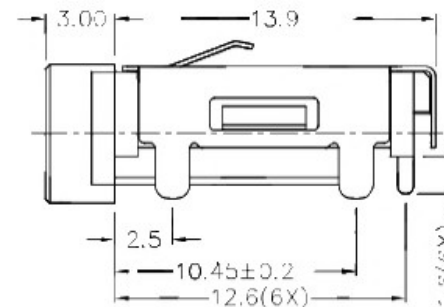
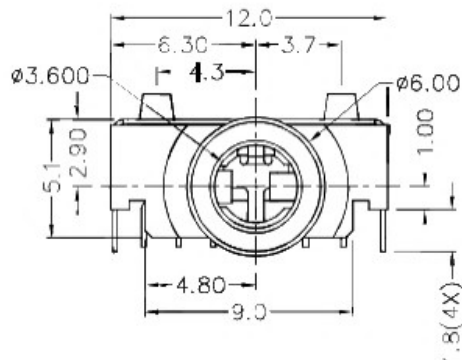
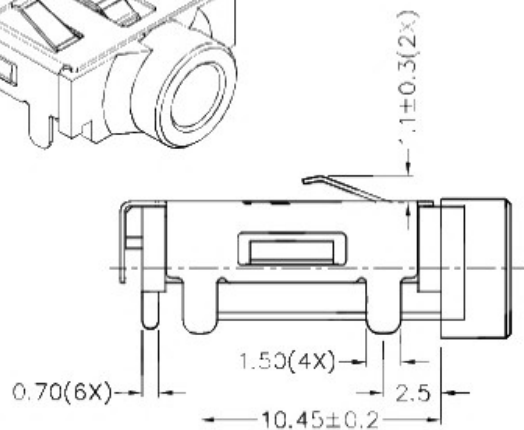
B

A



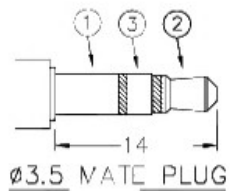
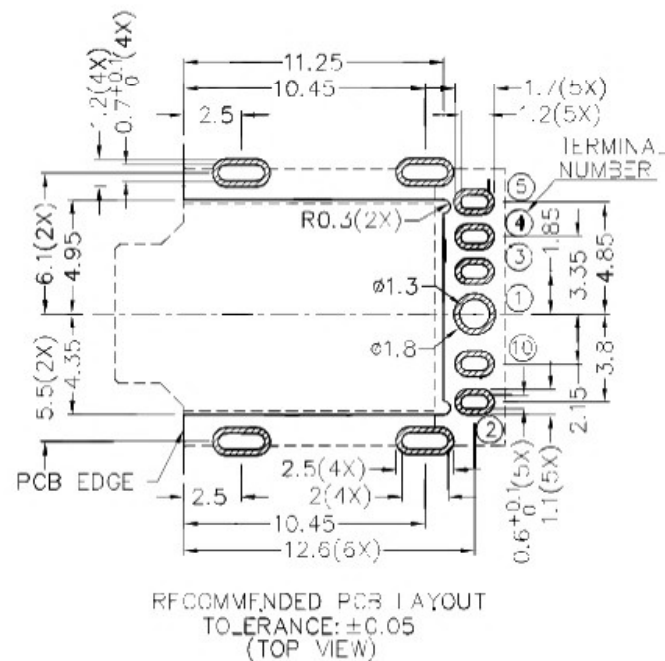
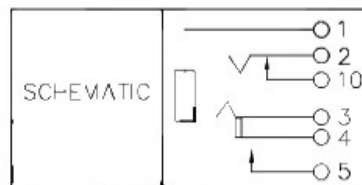
RoHS
Compliant

ZCNE	SYMBOL	REVISION	APPROVAL	DATE



* MATERIAL

TERMINAL 1 : COPPER ALLOY
 TERMINAL 2 : COPPER ALLOY
 TERMINAL 3 : COPPER ALLOY
 TERMINAL 4 : COPPER ALLOY
 TERMINAL 5 : COPPER ALLOY
 TERMINAL 10: BRASS
 SHIELD : COPPER ALLOY
 HOUSING : HIGH TEMP. PLASTIC



广东科斯达开关厂

PART NAME	3.5mm SMD STEREO JACK	TOLERANCE UNLESS	0.0±0.2	UNIT:	mm	DESIGN	G.P.YI	DATE	5-2-2009	SCALE	3:1
PART NO.		OTHERWISE SPECIFIED:	0.00±0.1			DRAWING	I.Y.LI	DATE	11-1-2017	MATERIAL	*
			0.000±0.05			CHECK	H...TAN	DATE	11-1-2017	DWG. NO.	12\SH512DS-A/1.0
						APPROVAL		DATE		SHEET	

F

E

D

C

B

A