

F

E

D

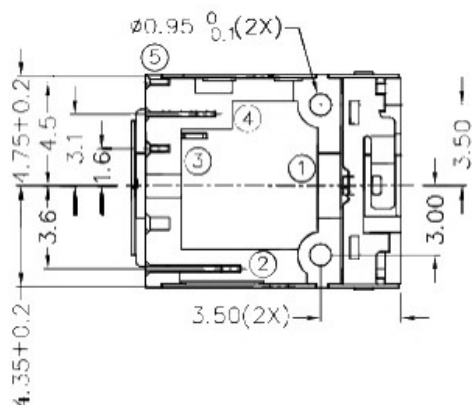
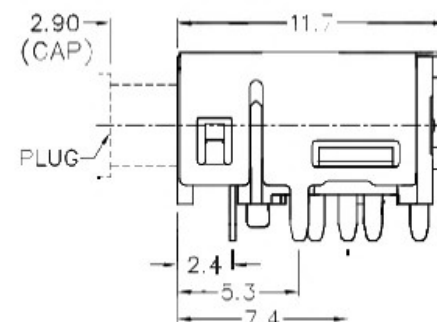
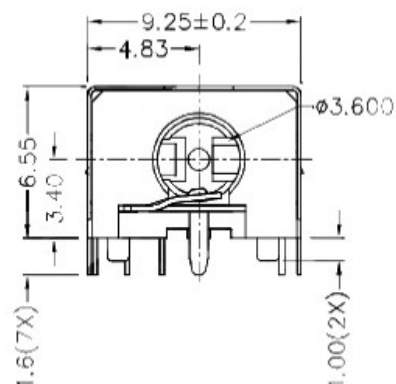
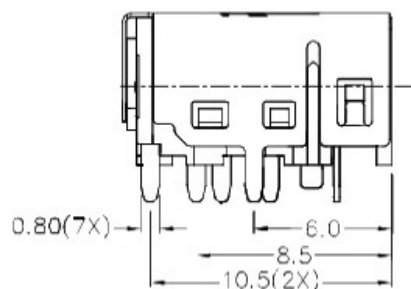
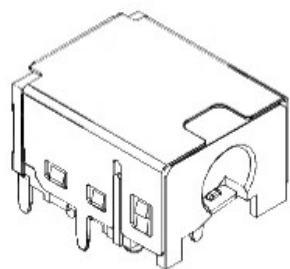
C

B

A

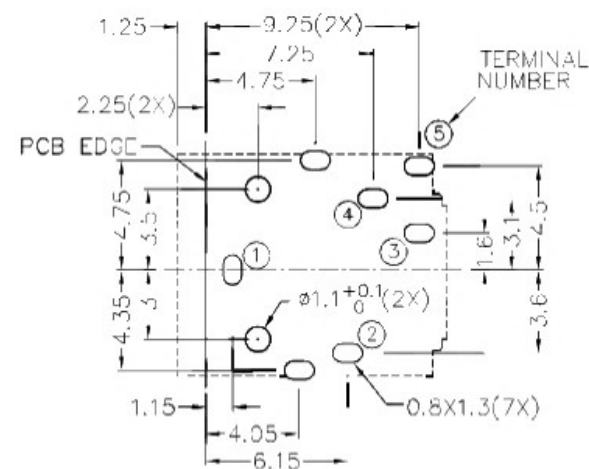
ZCNF	SYMBOL	REVISION	APPROVAL	DATE

RoHS
Compliant

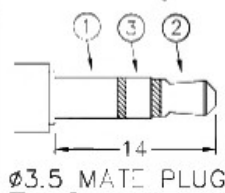


× MATERIAL

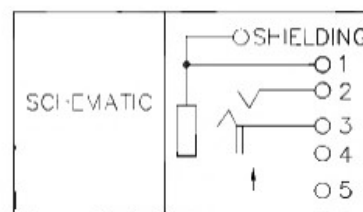
TERMINAL 1 : COPPER ALLOY
 TERMINAL 2 : COPPER ALLOY
 TERMINAL 3 : COPPER ALLOY
 TERMINAL 4 : COPPER ALLOY
 TERMINAL 5 : COPPER ALLOY
 SHIELD : STAINLESS STEEL
 HOUSING : HIGH TEMP. PLASTIC



RECOMMENDED PCB LAYOUT
TOLERANCE: ±0.05
(TOP VIEW)



Ø3.5 MATE PLUG



广东科斯达开关厂

DESIGN	T.Y.LI	DATE	25-5-2012	SCALE	3:1
DRAWING	J.H.ZHOU	DATE	19-1-2017	MATERIAL	*
CHECK	H.L.TAN	DATE	19-1-2017	DWG. NO.	TZ\SH549S-A/1.0
APPROVAL		DATE		SHEET	

PART NAME	3.5mm STEREO JACK	TOLERANCE UNLESS OTHERWISE SPECIFIED:	0.0±0.2 0.00±0.1 0.000±0.05	UNIT:	mm
PART NO.					

F

E

D

C

B

A