

F

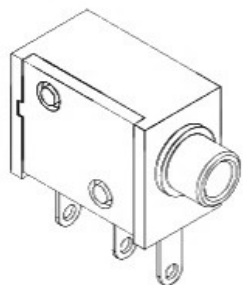
E

D

C

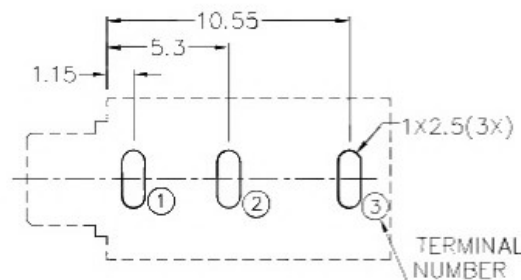
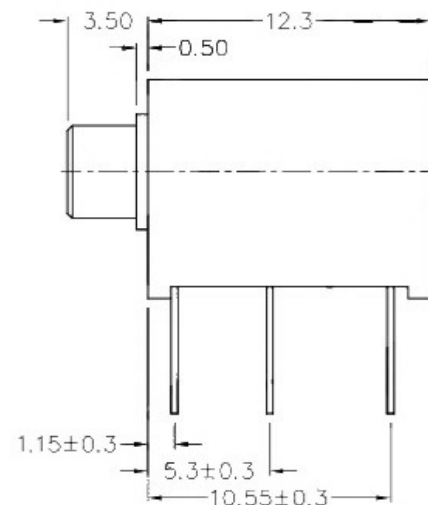
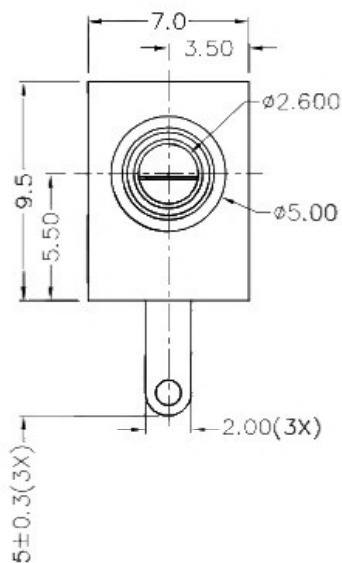
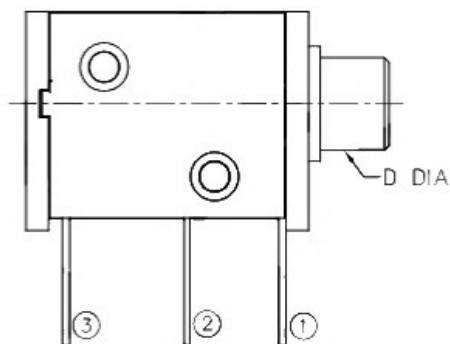
B

A



RoHS
Compliant

ZONE	SYMBOL	REVISION	APPROVAL	DATE



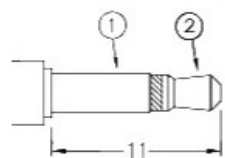
RECOMMENDED PCB LAYOUT
TOLERANCE: ±0.05
(TOP VIEW)

D DIA	THREADED	FLASHED
	M4X0.5	∅4.0

SCHEMATIC	THREADED	FLASHED

* MATERIAL

TERMINAL 1 : BRASS
 TERMINAL 2 : COPPER ALLOY
 TERMINAL 3 : BRASS
 BUSHING : BRASS
 HOUSING : THERMOPLASTIC
 COVER : THERMOPLASTIC



∅2.5 MATE PLUG

广东科斯达开关厂

PART NAME	2.5mm PHONE JACK	TOLERANCE UNLESS	0.0±0.2	UNIT:
PART NO.		OTHERWISE SPECIFIED:	0.00±0.1 0.000±0.05	

DESIGN	T.Y.LI	DATE	19-3-2007	SCALE	3:1
DRAWING	H.Q.ZHOU	DATE	13-3-2017	MATERIAL	*
CHECK	H.L.TAN	DATE	13-3-2017	DWG. NO.	TZ\TG402-B/1.0
APPROVAL		DATE		SHEET	

F

E

D

C

B

A