

F

E

D

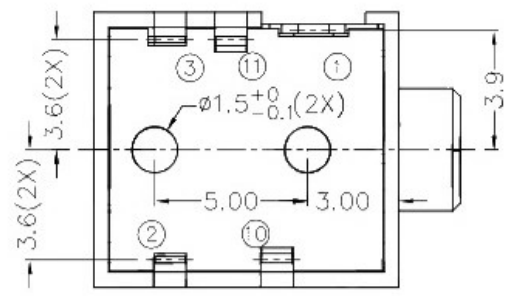
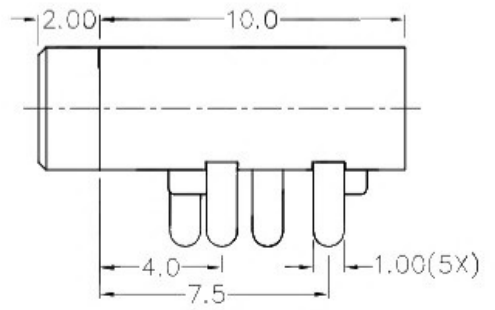
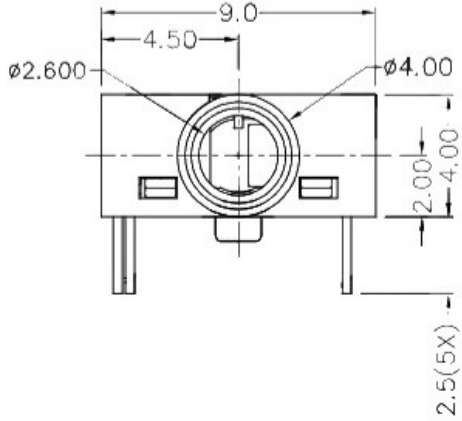
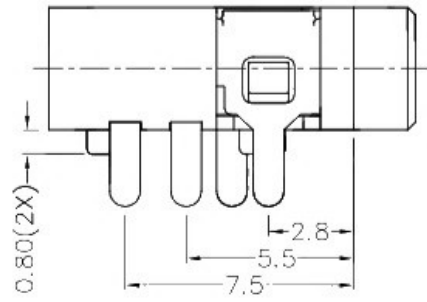
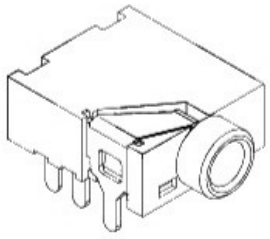
C

B

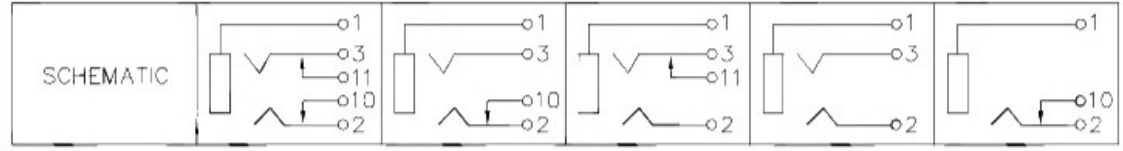
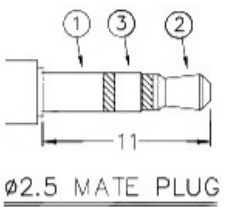
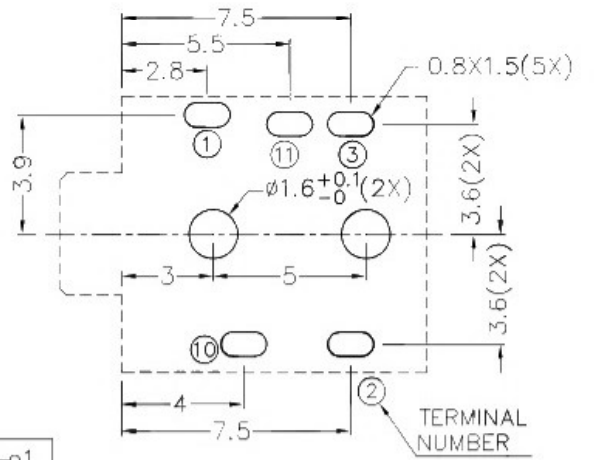
A

ZONE	SYMBOL	REVISION	APPROVAL	DATE

RoHS
Compliant



* MATERIAL
 TERMINAL 1 : COPPER ALLOY
 TERMINAL 2 : COPPER ALLOY
 TERMINAL 3 : COPPER ALLOY
 TERMINAL 10 : BRASS
 TERMINAL 11 : BRASS
 HOUSING : THERMOPLASTIC
 COVER : THERMOPLASTIC



RECOMMENDED PCB LAYOUT
 TOLERANCE: ±0.05
 (TOP VIEW)

广东科斯达开关厂

DESIGN	J.M.KWAN	DATE	1-10-2003	SCALE	4:1
DRAWING	H.Q.ZHOU	DATE	1-3-2017	MATERIAL	*
CHECK	T.Y.LI	DATE	1-3-2017	DWG. NO.	TZ\TG267-B/1.0
APPROVAL		DATE		SHEET	

PART NAME	2.5mm STEREO JACK	TOLERANCE UNLESS	0.0±0.2	UNIT:
PART NO.		OTHERWISE SPECIFIED:	0.00±0.1 0.000±0.05	

F

E

D

C

B

A