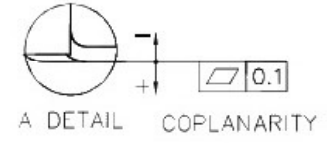
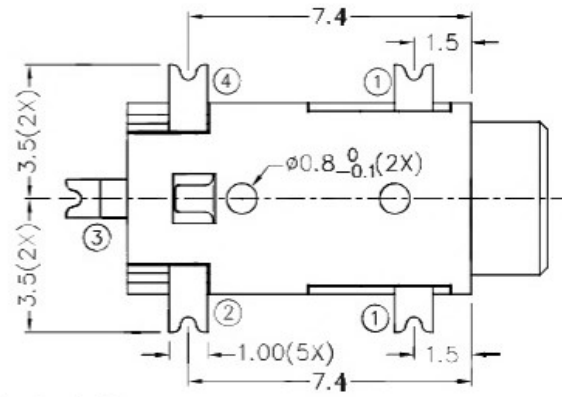
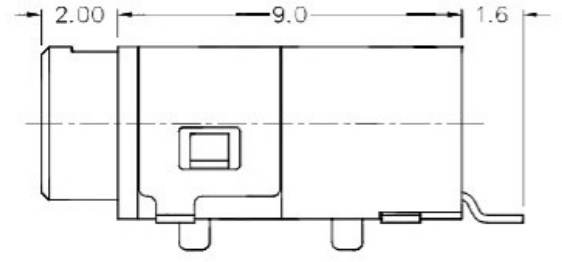
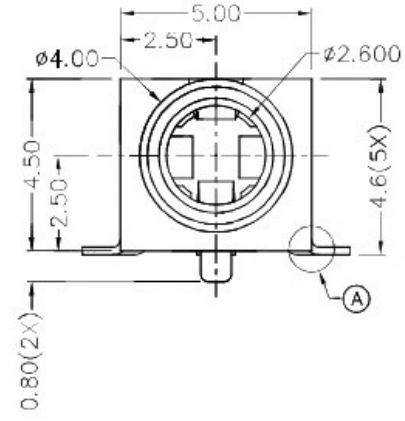
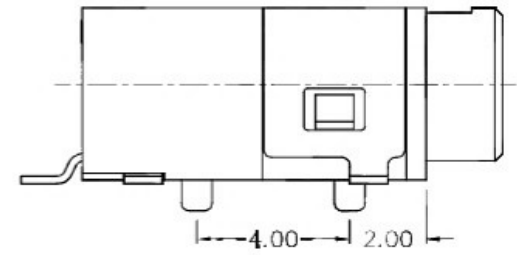
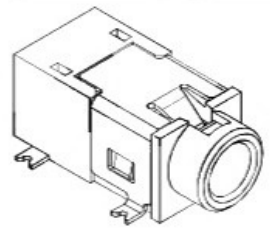


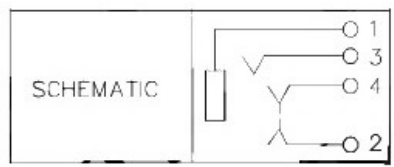
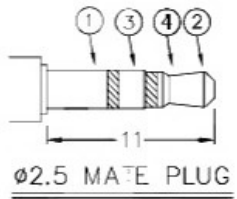
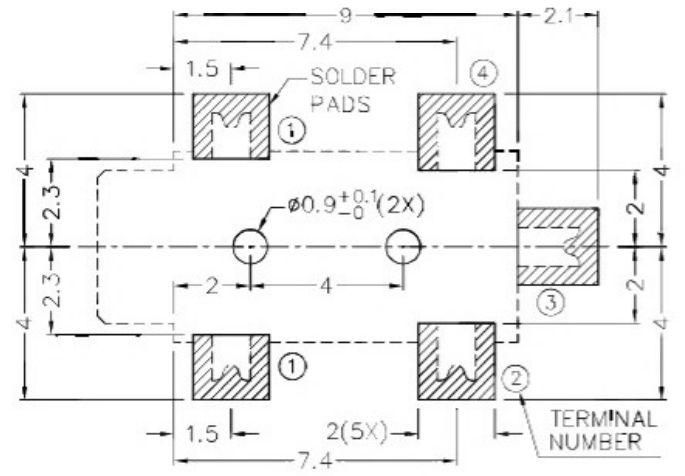
F E D C B A

ZONE	SYMBOL	REVISION	APPROVAL	DATE

RoHS
Compliant



* MATERIAL
 TERMINAL 1 : COPPER ALLOY
 TERMINAL 2 : COPPER ALLOY
 TERMINAL 3 : COPPER ALLOY
 TERMINAL 4 : COPPER ALLOY
 HOUSING : HIGH TEMP. PLASTIC



RECOMMENDED PCB LAYOUT
 TOLERANCE: ± 0.05
 (TOP VIEW)

广东科斯达开关厂

PART NAME	2.5mm SMD STEREO JACK	TOLERANCE UNLESS 0.0 \pm 0.2 0.00 \pm 0.1 OTHERWISE SPECIFIED: 0.000 \pm 0.05	UNIT: mm	DESIGN	T.Y.LI	DATE	7-2-2007	SCALE	5:1
				DRAWING	J.CH.OU	DATE	10-3-2017	MATERIAL	*
PART NO.				CHECK	H.L.TAN	DATE	10-3-2017	DWG. NO.	TZ\TG401D-A/1.0
				APPROVAL		DATE		SHEET	

F E D C B A