

F

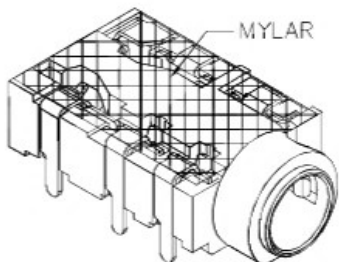
E

D

C

B

A

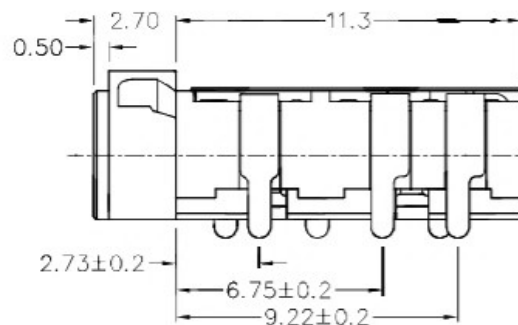
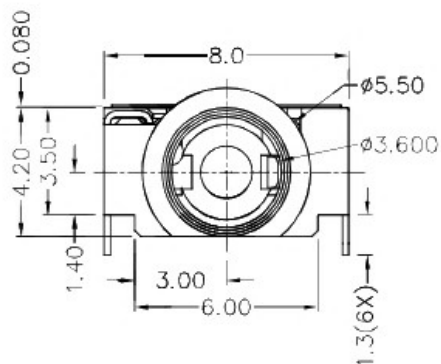
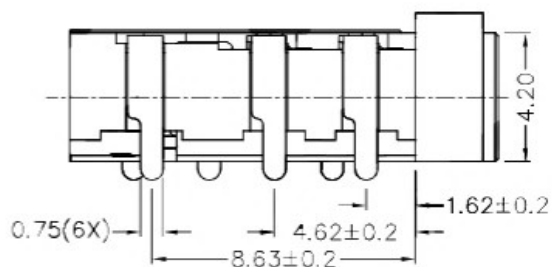


RoHS
Compliant

ZONE	SYMBOL	REVISION	APPROVAL	DATE

1

1

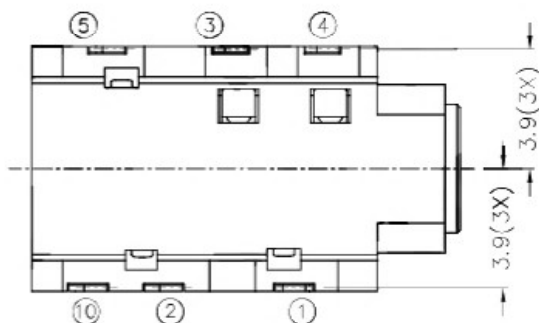


2

2

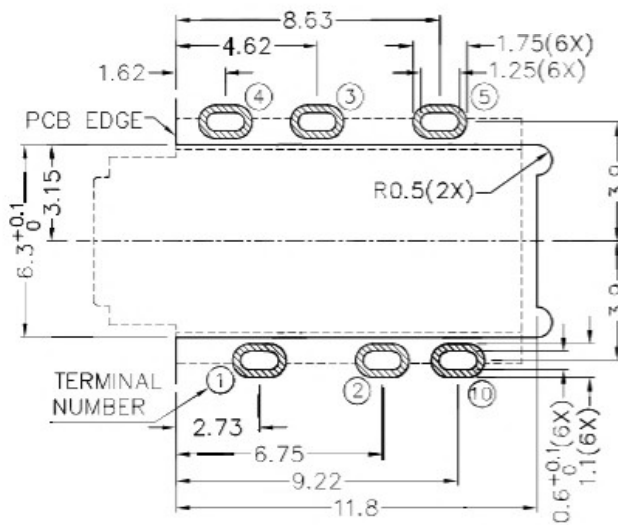
3

3



* MATERIAL

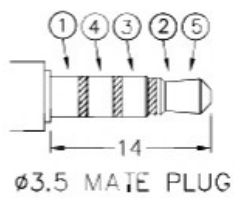
TERMINAL 1 : COPPER ALLOY
 TERMINAL 2 : COPPER ALLOY
 TERMINAL 3 : COPPER ALLOY
 TERMINAL 4 : COPPER ALLOY
 TERMINAL 5 : COPPER ALLOY
 TERMINAL 10 : COPPER ALLOY
 MYLAR : POLYIMIDE
 HOUSING : HIGH TEMP. PLASTIC



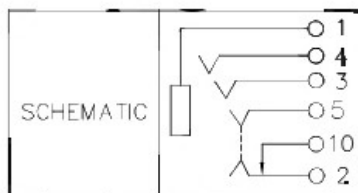
RECOMMENDED PCB LAYOUT
TOLERANCE: ±0.05
(TOP VIEW)

4

4




∅3.5 MATE PLUG



 广东科斯达开关厂

PART NAME 3.5mm SMD STEREO JACK
PART NO.

TOLERANCE UNLESS 0.0±0.2
OTHERWISE SPECIFIED: 0.00±0.1
0.000±0.05

UNIT: mm 

DESIGN	H.L.TAN	DATE	26-3-2013	SCALE	4:1
DRAWING	J.H.ZHOU	DATE	7-2-2017	MATERIAL	*
CHECK	T.Y.LI	DATE	7-2-2017	DWG. NO.	TZ\SH563D11-A/1.0
APPROVAL		DATE		SHEET	

F

E

D

C

B

A