

F

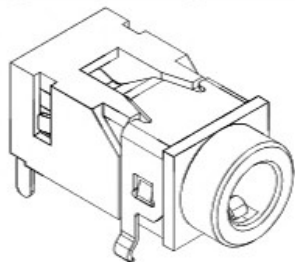
E

D

C

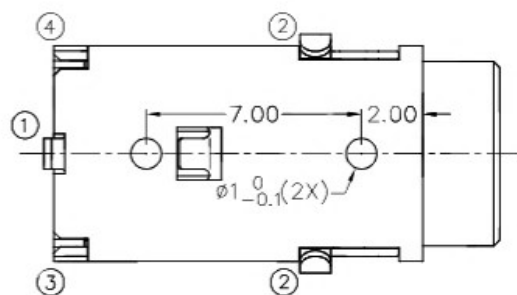
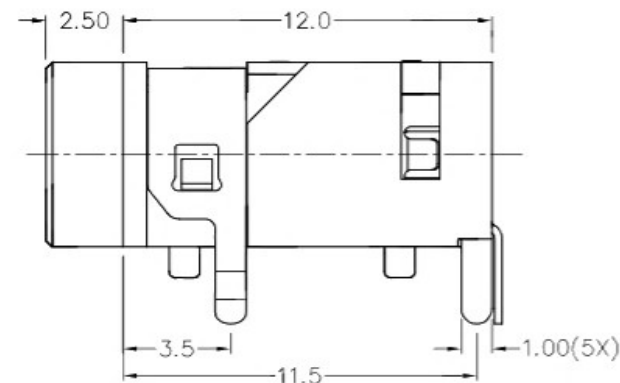
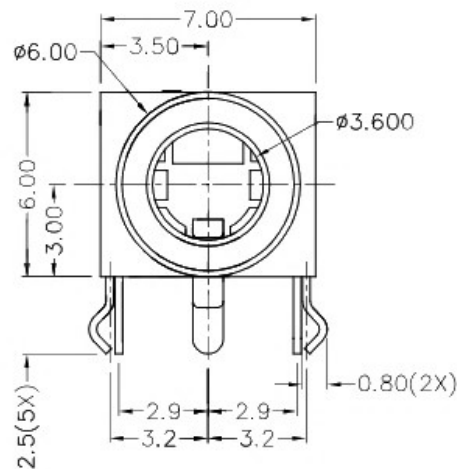
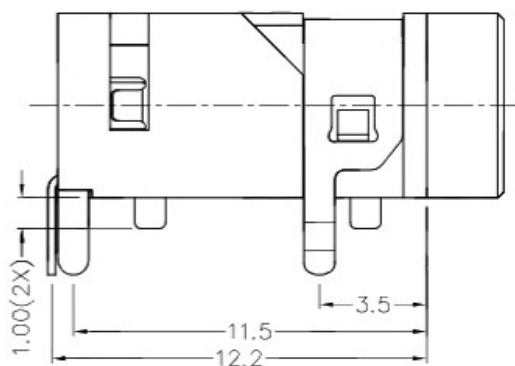
B

A



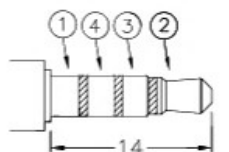
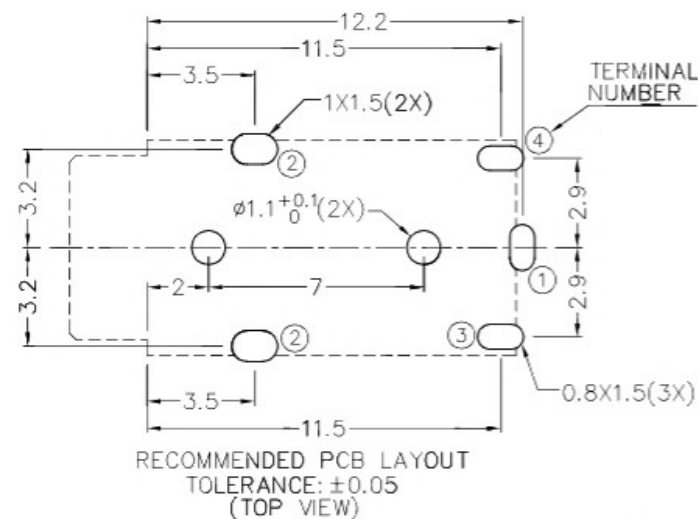
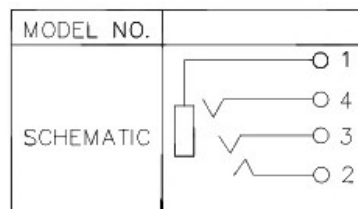
ZONE	SYMBOL	REVISION	APPROVAL	DATE

RoHS  
Compliant



\* MATERIAL

TERMINAL 1 : COPPER ALLOY  
 TERMINAL 2 : COPPER ALLOY  
 TERMINAL 3 : COPPER ALLOY  
 TERMINAL 4 : COPPER ALLOY  
 HOUSING : THERMOPLASTIC



Ø3.5 MATE PLUG

 广东科斯达开关厂

PART NAME	3.5mm STEREO JACK	TOLERANCE UNLESS	0.0±0.2	UNIT:	mm
PART NO.		OTHERWISE SPECIFIED:	0.00±0.1 0.000±0.05		

DESIGN	G.P.YI	DATE	24-7-2009	SCALE	4:1
DRAWING	H.Q.ZHOU	DATE	11-1-2017	MATERIAL	*
CHECK	T.Y.LI	DATE	11-1-2017	DWG. NO.	TZ\SH511-B/1.0
APPROVAL		DATE		SHEET	

F

E

D

C

B

A