

F

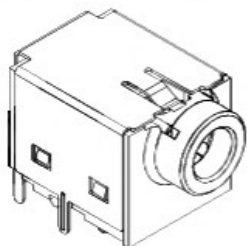
E

D

C

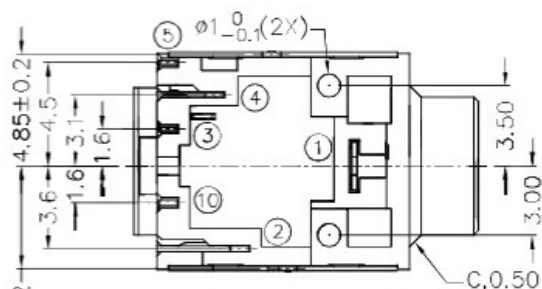
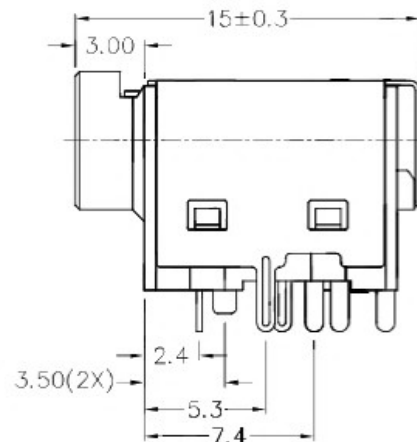
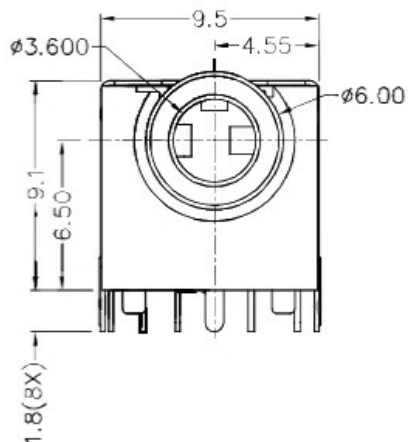
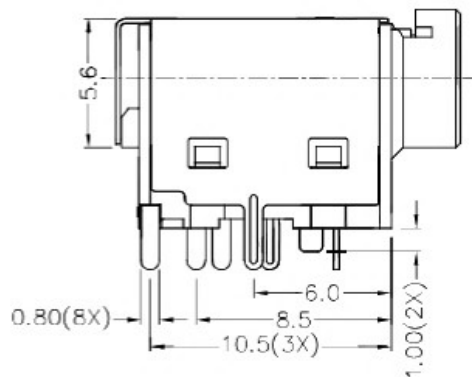
B

A



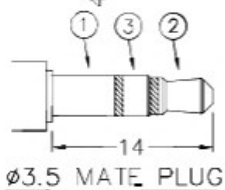
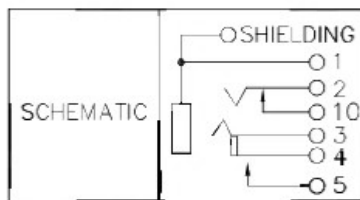
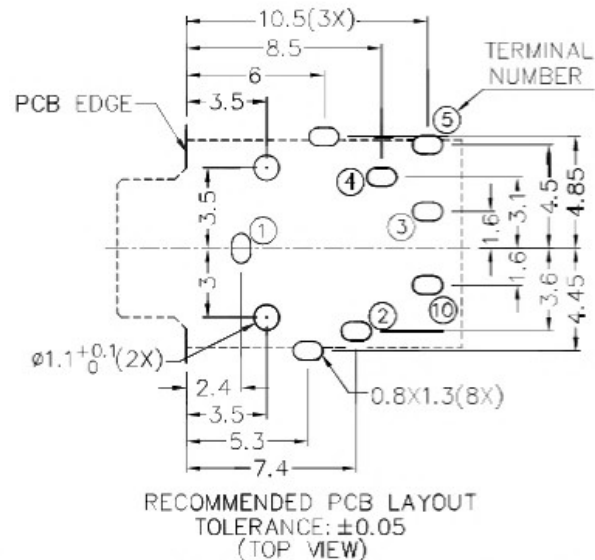
RoHS
Compliant

ZONE	SYMBOL	REVISION	APPROVAL	DATE

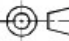


* MATERIAL

TERMINAL 1 : COPPER ALLOY
 TERMINAL 2 : COPPER ALLOY
 TERMINAL 3 : COPPER ALLOY
 TERMINAL 4 : COPPER ALLOY
 TERMINAL 5 : COPPER ALLOY
 TERMINAL 10 : BRASS
 SHIELD : COPPER ALLOY
 HOUSING : HIGH TEMP. PLASTIC



 广东科斯达开关厂

PART NAME	3.5mm STEREO JACK	TOLERANCE UNLESS	0.0±0.2	UNIT: 
PART NO.		OTHERWISE SPECIFIED:	0.00±0.1 0.000±0.05	

DESIGN	H.L.TAN	DATE	12-5-2011	SCALE	3:1
DRAWING	H.Q.ZHOU	DATE	17-1-2017	MATERIAL	*
CHECK	T.Y.LI	DATE	17-1-2017	DWG. NO.	TZ\SH533S-A/1.0
APPROVAL		DATE		SHEET	

F

E

D

C

B

A