

F

E

D

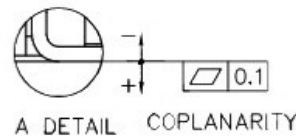
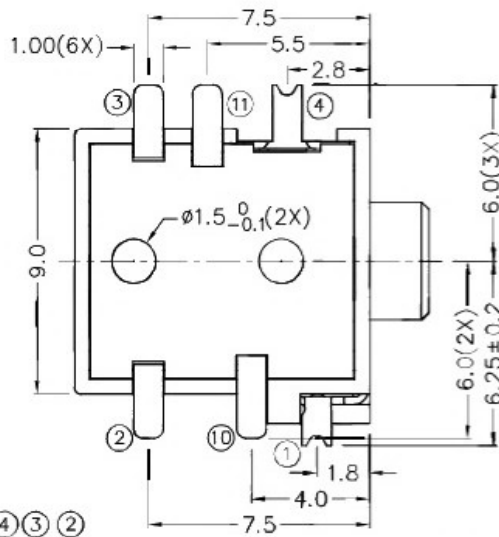
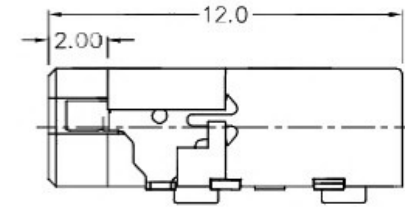
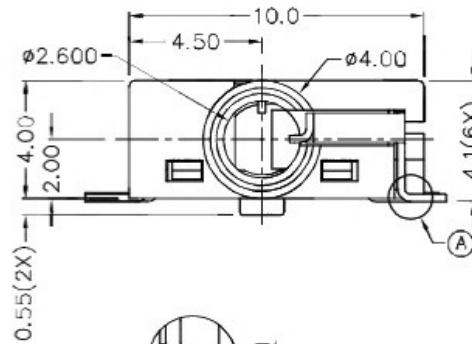
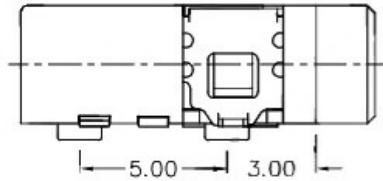
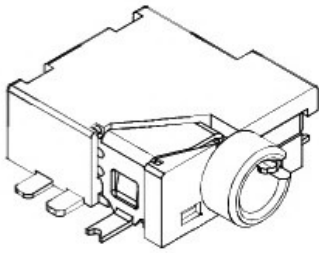
C

B

A

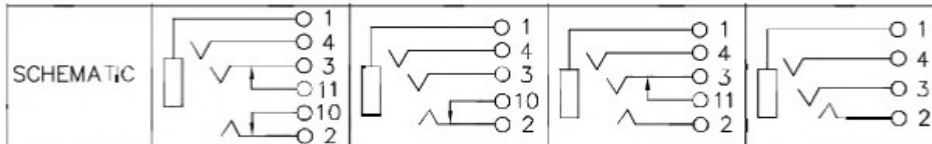
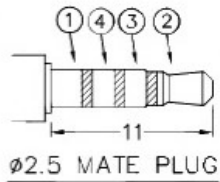
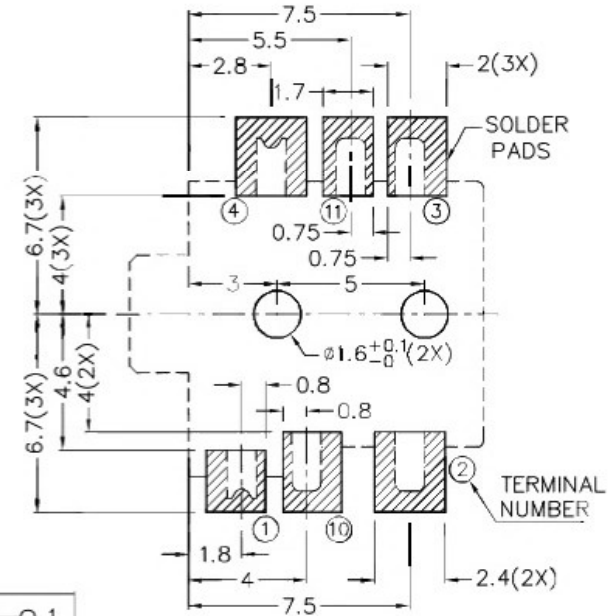
ZONE	SYMBOL	REVISION	APPROVAL	DATE

RoHS
Compliant



* MATERIAL

TERMINAL 1 : COPPER ALLOY
 TERMINAL 2 : COPPER ALLOY
 TERMINAL 3 : COPPER ALLOY
 TERMINAL 4 : COPPER ALLOY
 TERMINAL 10 : BRASS
 TERMINAL 11 : BRASS
 HOUSING : HIGH TEMP. PLASTIC
 COVER : HIGH TEMP. PLASTIC



RECOMMENDED PCB LAYOUT
 TOLERANCE: ±0.05
 (TOP VIEW)

广东科斯达开关厂

DESIGN	T.Y.LI	DATE	26-3-2004	SCALE	4:1
DRAWING	J.H.ZHOU	DATE	29-9-2016	MATERIAL	*
CHECK	H.L.TAN	DATE	29-9-2016	DWG. NO.	TZ\TG271D-A/1.0
APPROVAL		DATE	29-9-2016	SHEET	

PART NAME 2.5mm SMD STEREO JACK

TOLERANCE UNLESS 0.0±0.2
 OTHERWISE SPECIFIED: 0.00±0.1
 0.000±0.05

UNIT: mm



F

E

D

C

B

A