

F

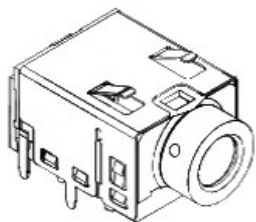
E

D

C

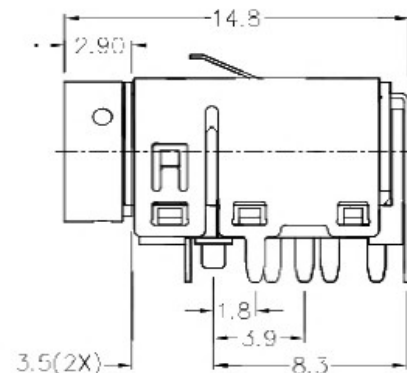
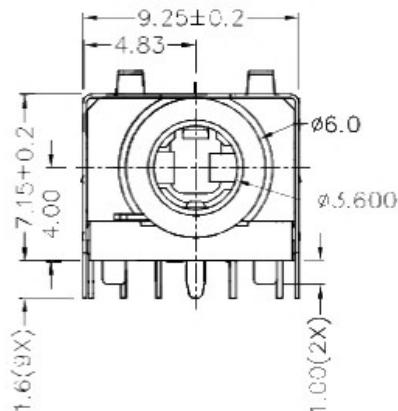
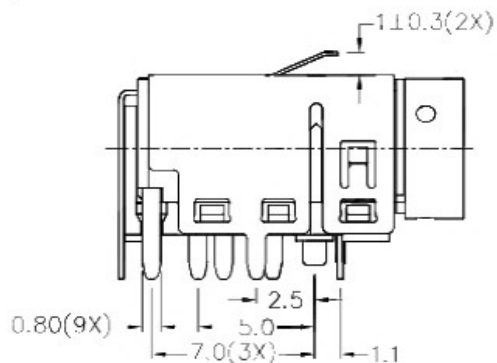
B

A



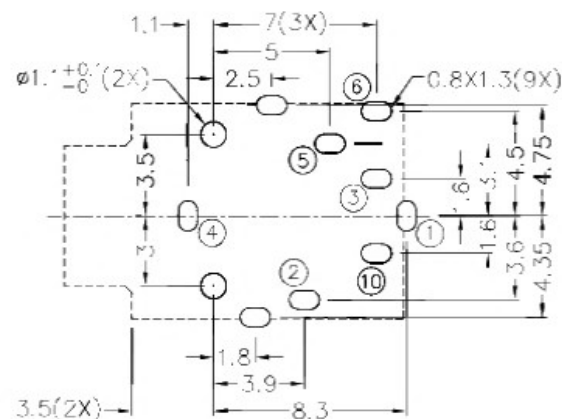
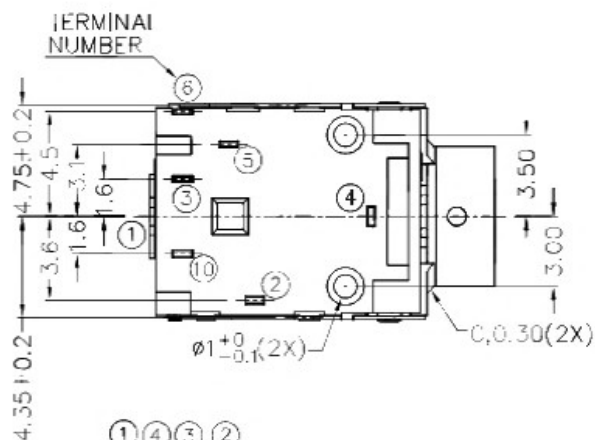
RoHS  
Compliant

ZONF	SYMBOL	REVISION	APPROVAL	DATE

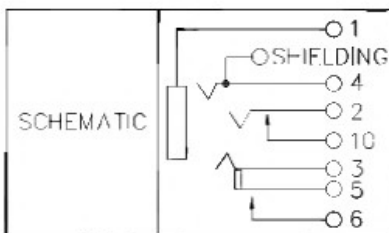
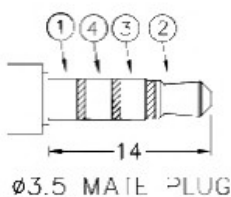


\* MATERIAL

TERMINAL 1 : COPPER ALLOY  
 TERMINAL 2 : COPPER ALLOY  
 TERMINAL 3 : COPPER ALLOY  
 TERMINAL 4 : COPPER ALLOY  
 TERMINAL 5 : COPPER ALLOY  
 TERMINAL 6 : COPPER ALLOY  
 TERMINAL 10 : BRASS  
 BUSHING : BRASS  
 SHIELD : STAINLESS STEEL  
 HOUSING : HIGH TEMP. PLASTIC  
 COVER : HIGH TEMP. PLASTIC



RECOMMENDED PCB LAYOUT  
 TOLERANCE: ±0.05  
 (TOP VIEW)



**广东科斯达开关厂**

DESIGN	H.L.TAN	DATE	3-1-2017	SCALE	3:1
DRAWING	J.H.ZHOU	DATE	15-9-2017	MATERIAL	*
CHECK	T.Y.LI	DATE	15-9-2017	DWG. NO.	T7\SH617S-A/1.0
APPROVAL		DATE		SHEET	

PART NAME	3.5mm STEREO JACK	TOLERANCE UNLESS OTHERWISE SPECIFIED:	0.0±0.2 0.00±0.1 0.000±0.05	UNIT:	mm
PART NO.					

F

E

D

C

B

A