

F

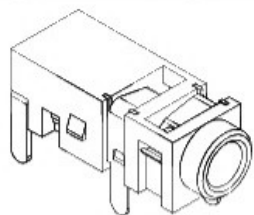
E

D

C

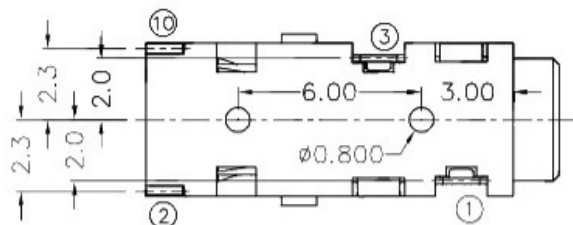
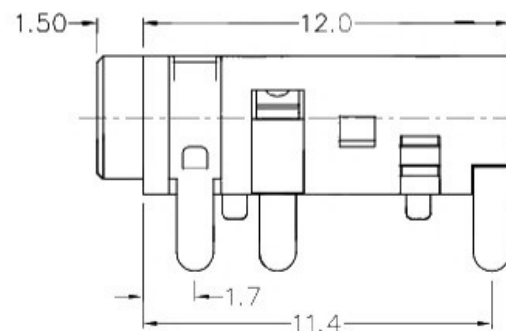
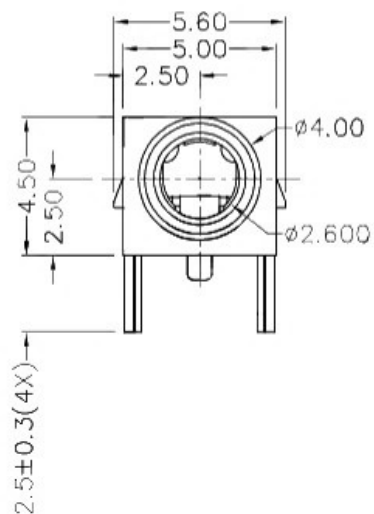
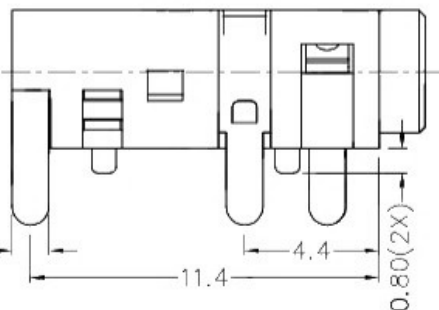
B

A



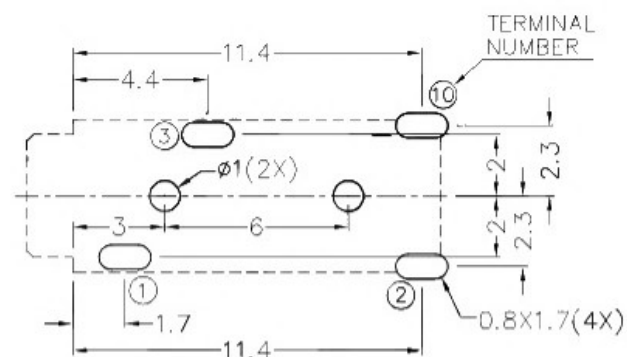
RoHS
Compliant

ZONE	SYMBOL	REVISION	APPROVAL	DATE

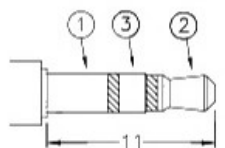


* MATERIAL

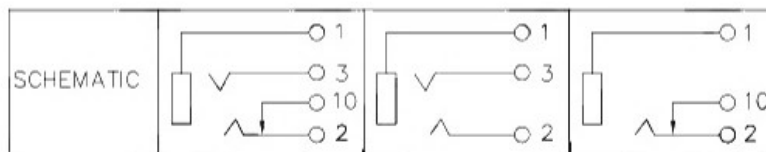
TERMINAL 1 : COPPER ALLOY
 TERMINAL 2 : COPPER ALLOY
 TERMINAL 3 : COPPER ALLOY
 TERMINAL 10: BRASS
 HOUSING : THERMOPLASTIC



RECOMMENDED PCB LAYOUT
 TOLERANCE: ± 0.05
 (TOP VIEW)



$\phi 2.5$ MATE PLUG



 广东科斯达开关厂

PART NAME	2.5mm STEREO JACK	TOLERANCE UNLESS	0.0 \pm 0.2	UNIT:	mm	DESIGN	J.X.KUANG	DATE	1-10-2003	SCALE	4:1
PART NO.		OTHERWISE SPECIFIED:	0.00 \pm 0.1				DRAWING	H.Q.ZHOU	DATE	27-2-2017	MATERIAL
			0.000 \pm 0.05			CHECK	T.Y.LI	DATE	27-2-2017	DWG. NO.	TZ\TG258-B/1.0
						APPROVAL		DATE		SHEET	

F

E

D

C

B

A