

F

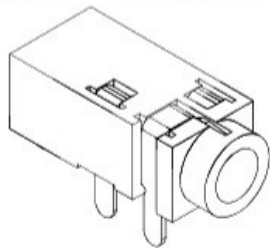
E

D

C

B

A

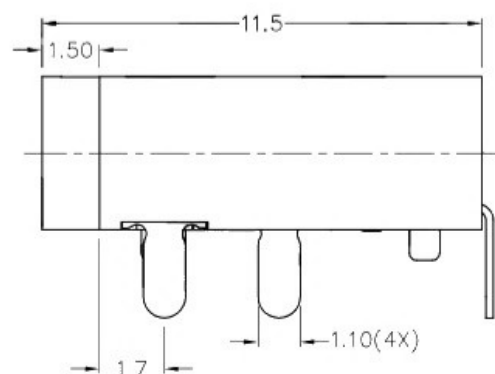
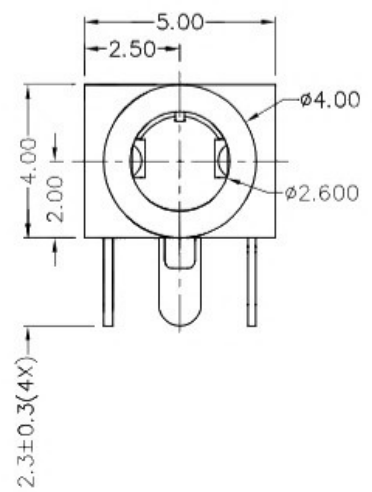
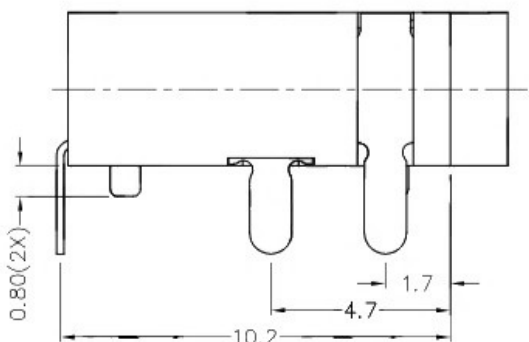


RoHS
Compliant

ZONE	SYMBOL	REVISION	APPROVAL	DATE

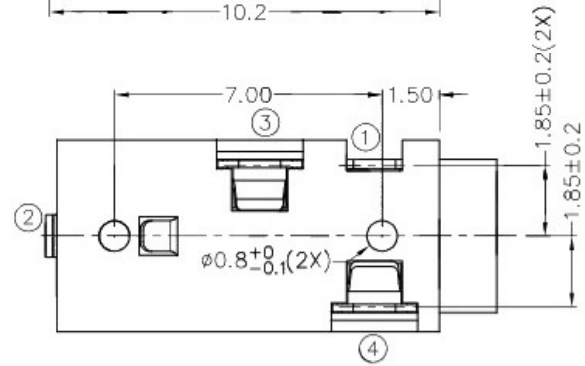
1

1

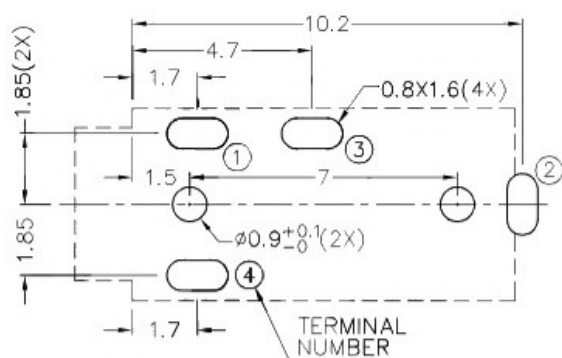


2

2

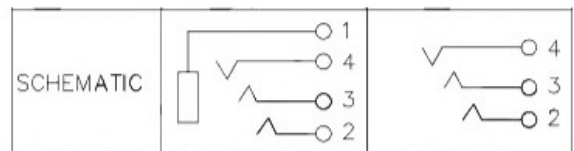
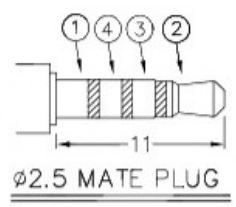


*** MATERIAL**
 TERMINAL 1 : COPPER ALLOY
 TERMINAL 2 : COPPER ALLOY
 TERMINAL 3 : COPPER ALLOY
 TERMINAL 4 : COPPER ALLOY
 HOUSING : THERMOPLASTIC



3

3



RECOMMENDED PCB LAYOUT
 TOLERANCE: ± 0.05
 (TOP VIEW)

4

4

广东科斯达开关厂

DESIGN	J.X.KUANG	DATE	1-10-2003	SCALE	5:1
DRAWING	Y.J.GUO	DATE	2-3-2017	MATERIAL	*
CHECK	T.Y.LI	DATE	2-3-2017	DWG. NO.	TZ\TG269-B/1.0
APPROVAL		DATE		SHEET	

PART NAME	2.5mm STEREO JACK	TOLERANCE UNLESS	0.0 \pm 0.2	UNIT:	mm
PART NO.		OTHERWISE SPECIFIED:	0.00 \pm 0.1 0.000 \pm 0.05		

F

E

D

C

B

A