

F

E

D

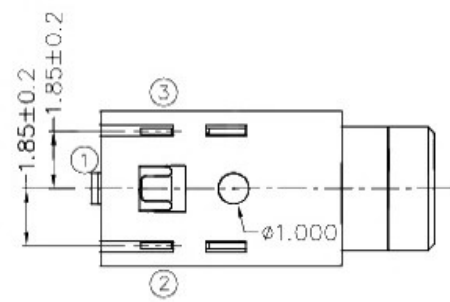
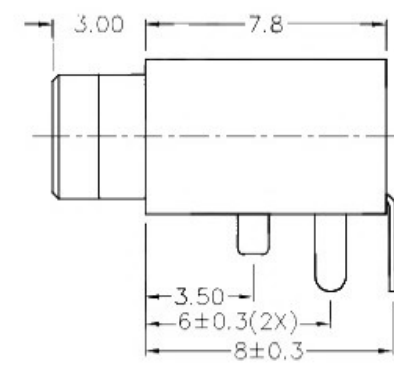
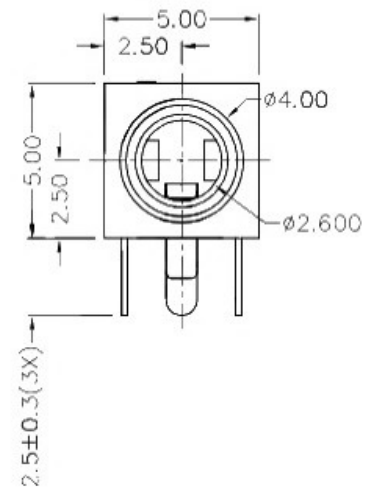
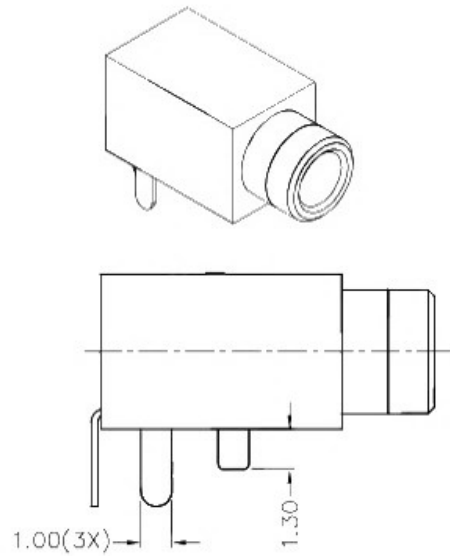
C

B

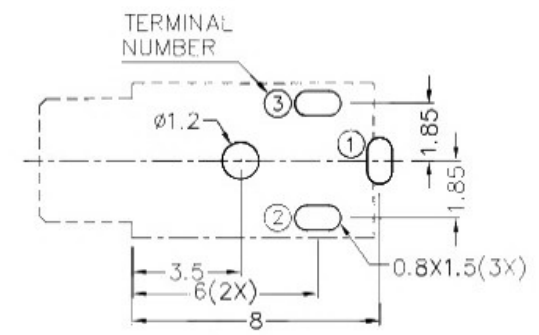
A

ZONE	SYMBOL	REVISION	APPROVAL	DATE

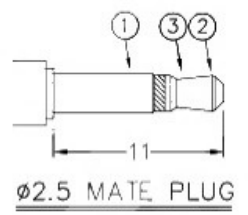
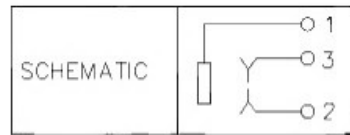
RoHS
Compliant



*** MATERIAL**
 TERMINAL 1 : COPPER ALLOY
 TERMINAL 2 : COPPER ALLOY
 TERMINAL 3 : COPPER ALLOY
 BUSHING : BRASS
 HOUSING : THERMOPLASTIC



RECOMMENDED PCB LAYOUT
 TOLERANCE: ±0.05
 (TOP VIEW)



 **广东科斯达开关厂**

PART NAME	2.5mm PHONE JACK	TOLERANCE UNLESS	0.0±0.2	UNIT:	mm
PART NO.		OTHERWISE SPECIFIED:	0.00±0.1 0.000±0.05		

DESIGN	T.Y.LI	DATE	15-6-2005	SCALE	4:1
DRAWING	H.Q.ZHOU	DATE	23-2-2017	MATERIAL	*
CHECK	H.L.TAN	DATE	23-2-2017	DWG. NO.	TZ\TG253-B/1.0
APPROVAL		DATE		SHEET	

F

E

D

C

B

A