

F

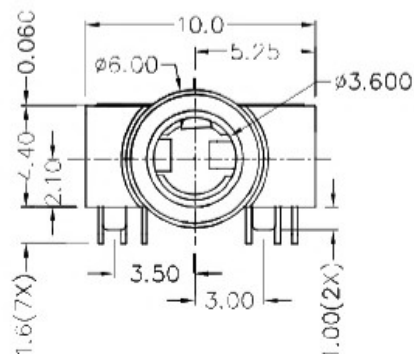
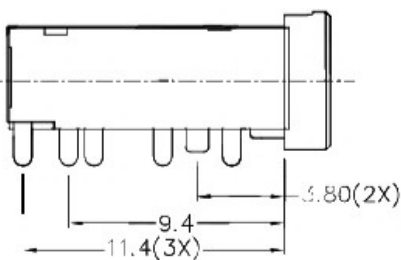
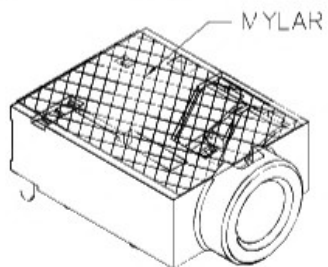
E

D

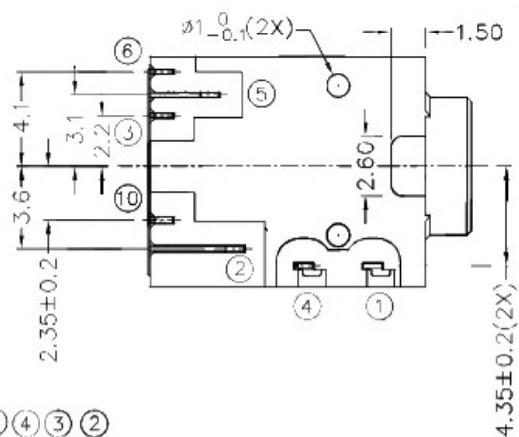
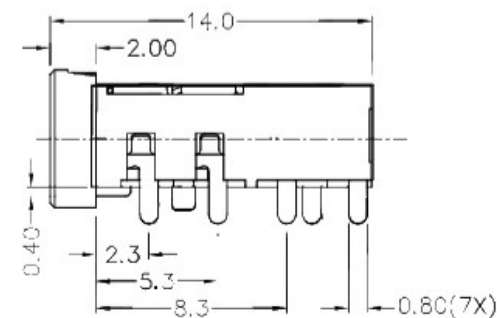
C

B

A

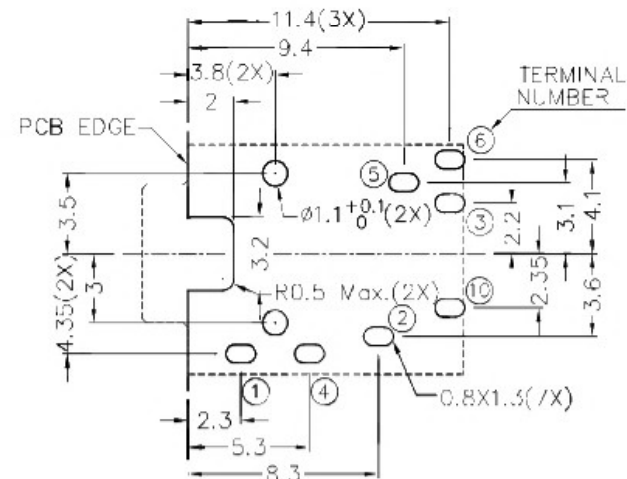


ZONE	SYMBOL	REVISION	A-PROVAL	DATE

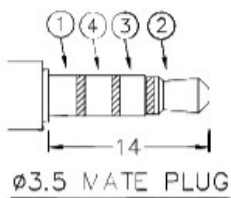
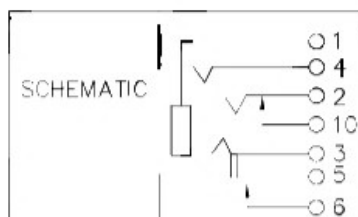


#### \* MATERIAL

TERMINAL 1 : COPPER ALLOY  
 TERMINAL 2 : COPPER ALLOY  
 TERMINAL 3 : COPPER ALLOY  
 TERMINAL 4 : COPPER ALLOY  
 TERMINAL 5 : COPPER ALLOY  
 TERMINAL 6 : COPPER ALLOY  
 TERMINAL 10 : BRASS  
 MYLAR : POLYIMIDE  
 HOUSING : HIGH TEMP. PLASTIC



RECOMMENDED PCB LAYOUT  
 TOLERANCE: ±0.05  
 (TOP VIEW)



**广东科斯达开关厂**

PART NAME	3.5mm STEREO JACK	TOLERANCE UNLESS OTHERWISE SPECIFIED:	0.0±0.2 0.00±0.1 0.00±0.05	UNIT:	mm
-----------	-------------------	---------------------------------------	----------------------------------	-------	----

DESIGN	H.L.TAN	DATE	1-8-2011	SCALE	3:1
DRAWING	H.Q.ZHOU	DATE	13-3-2017	MATERIAL	*
CHECK	T.Y.LI	DATE	13-3-2017	DWG. NO.	TZ\SH53871-A/1.0
APPROVAL		DATE		SHEET	

F

E

D

C

B

A