

F

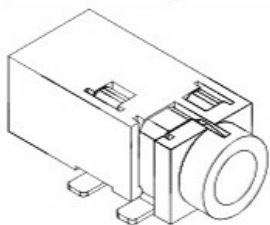
E

D

C

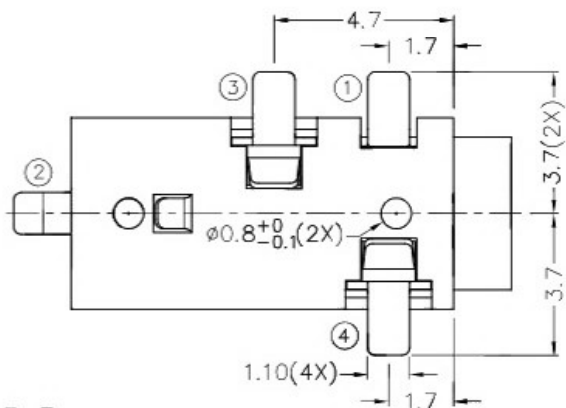
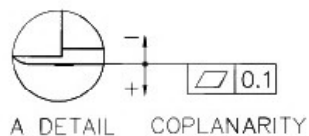
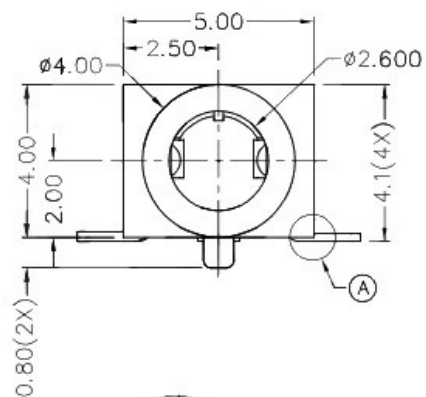
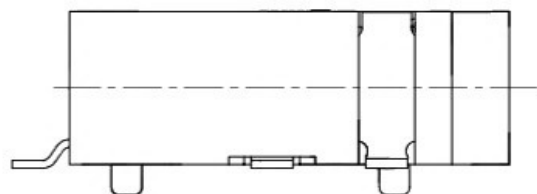
B

A



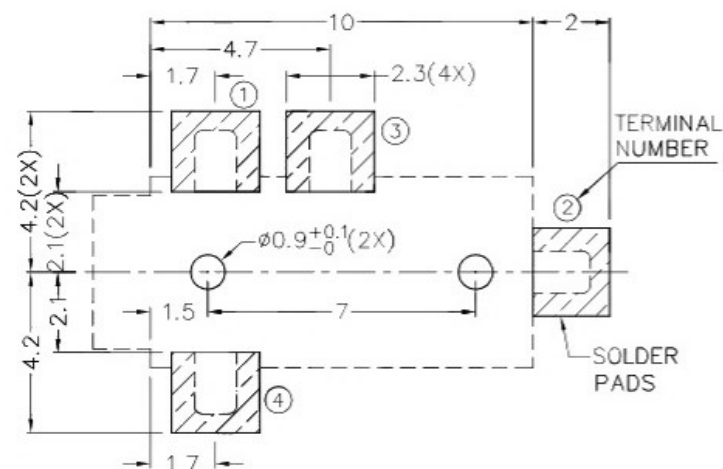
RoHS
Compliant

ZONE	SYMBOL	REVISION	APPROVAL	DATE

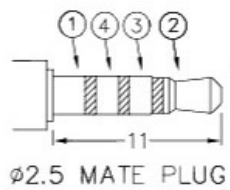
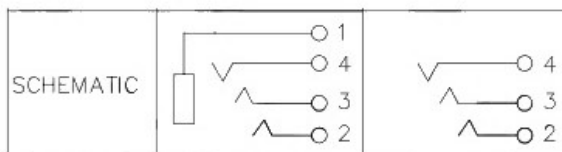


* MATERIAL

TERMINAL 1 : COPPER ALLOY
 TERMINAL 2 : COPPER ALLOY
 TERMINAL 3 : COPPER ALLOY
 TERMINAL 4 : COPPER ALLOY
 HOUSING : HIGH TEMP. PLASTIC



RECOMMENDED PCB LAYOUT
 TOLERANCE: ±0.05
 (TOP VIEW)



广东科斯达开关厂

DESIGN	J.X.KUANG	DATE	1-10-2003	SCALE	5:1
DRAWING	T.Y.LI	DATE	1-3-2017	MATERIAL	*
CHECK	H.L.TAN	DATE	1-3-2017	DWG. NO.	TZ\TG268-A/1.0
APPROVAL		DATE		SHEET	

PART NAME 2.5mm SMD STEREO JACK

TOLERANCE UNLESS 0.0±0.2
 0.00±0.1
 OTHERWISE SPECIFIED: 0.000±0.05

UNIT: mm



F

E

D

C

B

A