

F

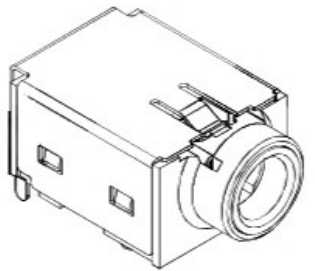
E

D

C

B

A



RoHS
Compliant

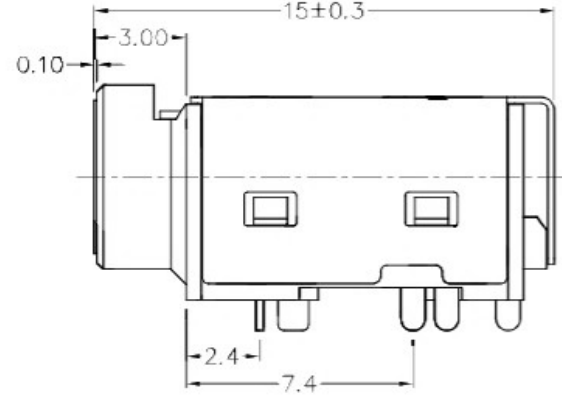
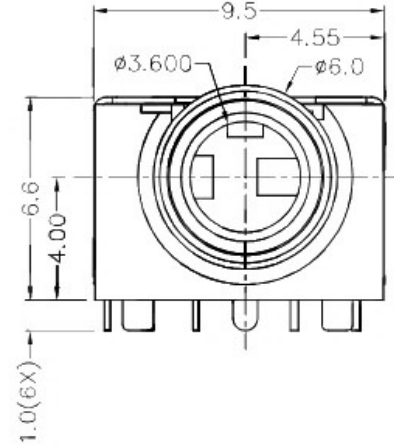
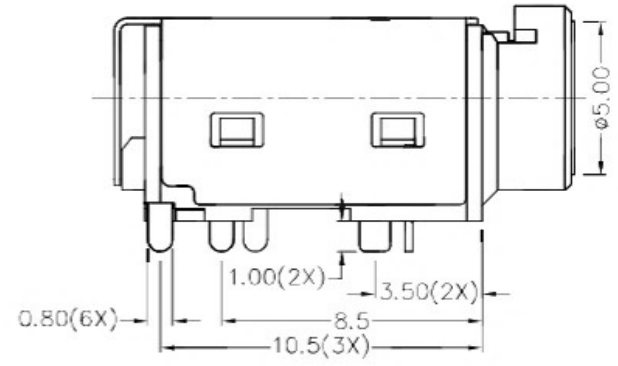
| ZONE | SYMBOL | REVISION | APPROVAL | DATE |
|------|--------|----------|----------|------|
| | | | | |
| | | | | |
| | | | | |

1

1

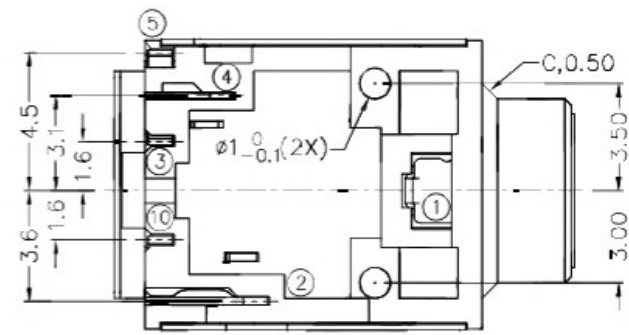
2

2

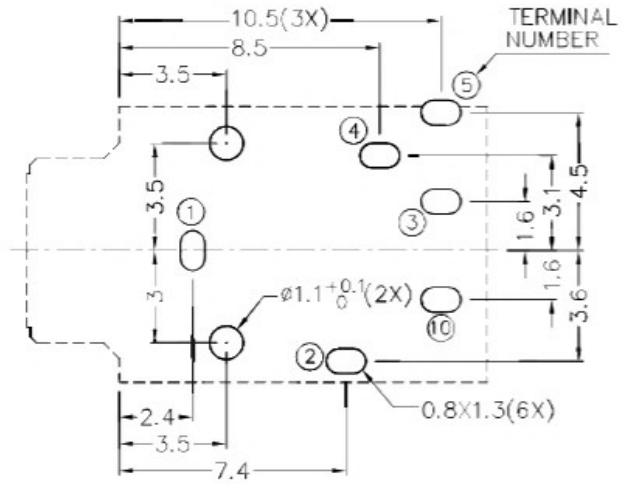


3

3

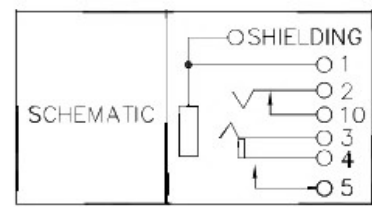
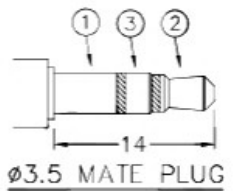


*** MATERIAL**
 TERMINAL 1 : COPPER ALLOY
 TERMINAL 2 : COPPER ALLOY
 TERMINAL 3 : COPPER ALLOY
 TERMINAL 4 : COPPER ALLOY
 TERMINAL 5 : COPPER ALLOY
 TERMINAL 10 : BRASS
 SHIELD : COPPER ALLOY
 BUSHING : BRASS
 HOUSING : HIGH TEMP. PLASTIC



4

4



RECOMMENDED PCB LAYOUT
 TOLERANCE: ±0.05
 (TOP VIEW)

 **广东科斯达开关厂**

| | | | | | | | | | |
|-----------|-------------------|---|-------------|----------|----------|------|-----------|----------|-----------------|
| PART NAME | 3.5mm STEREO JACK | TOLERANCE UNLESS 0.0±0.2 0.00±0.1 OTHERWISE SPECIFIED: 0.000±0.05 | UNIT: mm | DESIGN | H.L.TAN | DATE | 13-6-2011 | SCALE | 4:1 |
| | | | | DRAWING | J.H.ZHOU | DATE | 12-1-2017 | MATERIAL | * |
| PART NO. | | | | CHECK | T.Y.LI | DATE | 12-1-2017 | DWG. NO. | TZ\SH513S-A/1.0 |
| | | | | APPROVAL | | DATE | | SHEET | |

F

E

D

C

B

A