

F

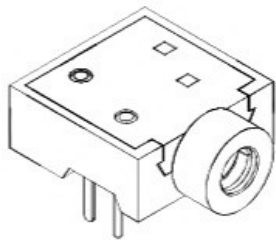
E

D

C

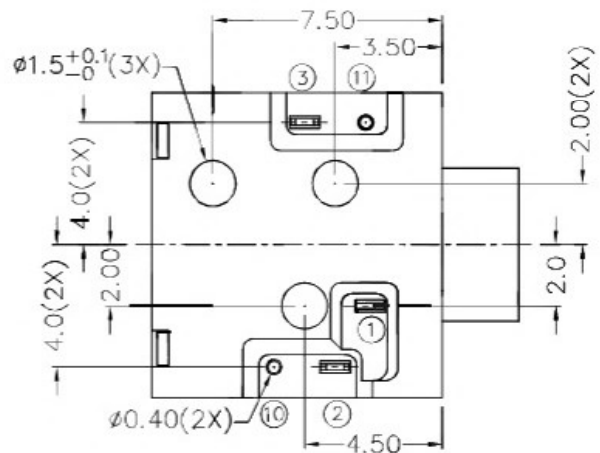
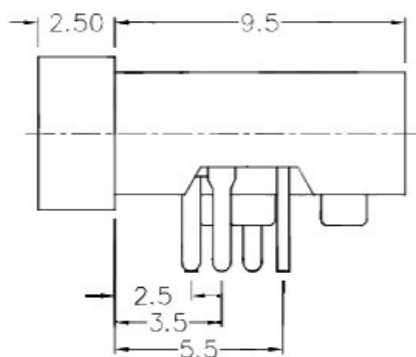
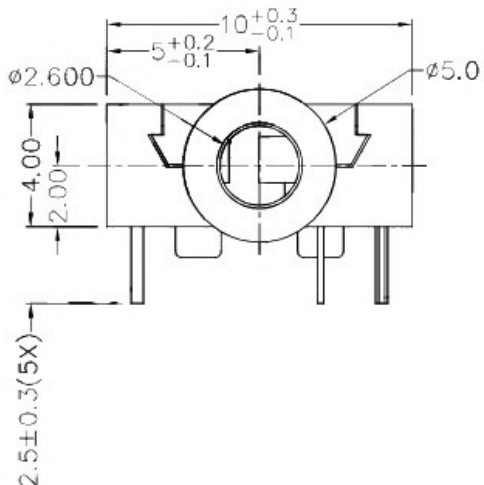
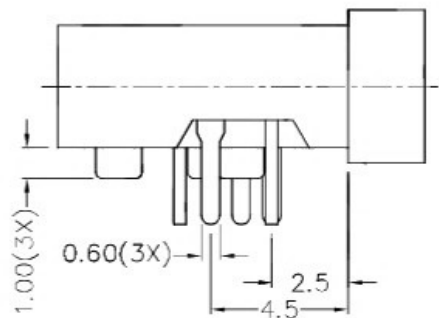
B

A

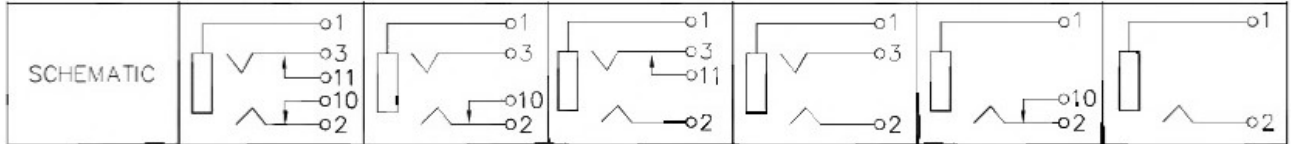
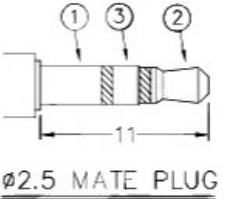
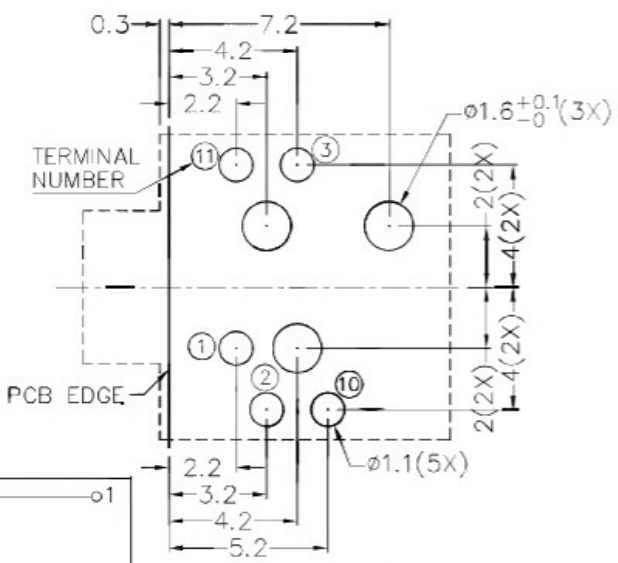


RoHS
Compliant

ZONE	SYMBOL	REVISION	APPROVAL	DATE



- * MATERIAL
- TERMINAL 1 : BRASS
 - TERMINAL 2 : COPPER ALLOY
 - TERMINAL 3 : COPPER ALLOY
 - TERMINAL 10 : COPPER ALLOY
 - TERMINAL 11 : COPPER ALLOY
 - BUSHING : BRASS
 - HOUSING : THERMOPLASTIC
 - COVER : THERMOPLASTIC



RECOMMENDED PCB LAYOUT
TOLERANCE: ±0.05
(TOP VIEW)

广东科斯达开关厂

PART NAME	2.5mm STEREO JACK	TOLERANCE UNLESS OTHERWISE SPECIFIED:	0.0±0.2 0.00±0.1 0.000±0.05	UNIT: mm	DESIGN	J.M.KWAN	DATE	5-12-2003	SCALE	4:1
					DRAWING	H.Q.ZHOU	DATE	28-2-2017	MATERIAL	*
PART NO.					CHECK	T.Y.LI	DATE	28-2-2017	DWG. NO.	TZ\TG263-B/1.0
					APPROVAL		DATE		SHEET	

F

E

D

C

B

A