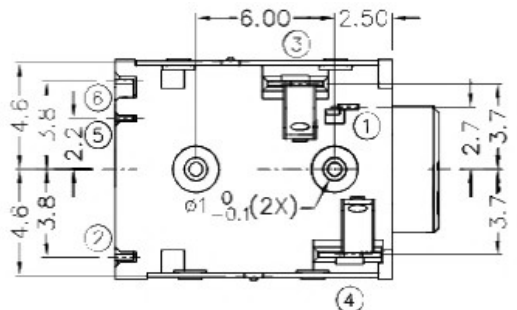
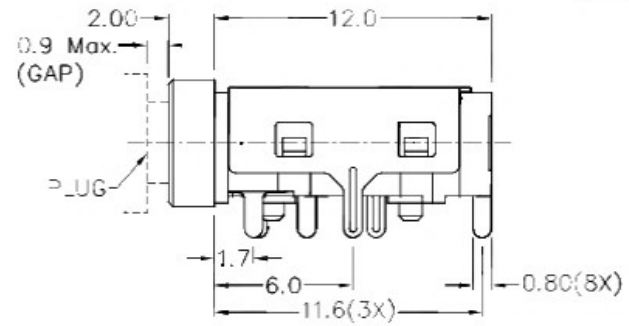
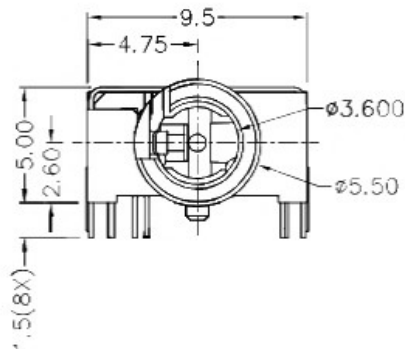
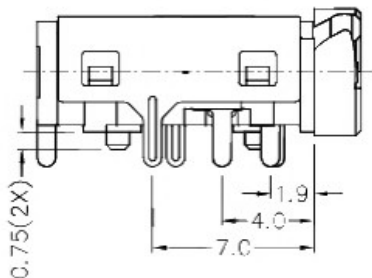
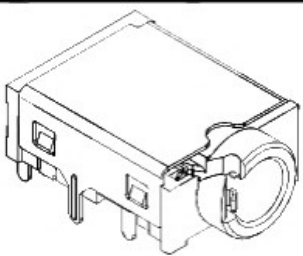


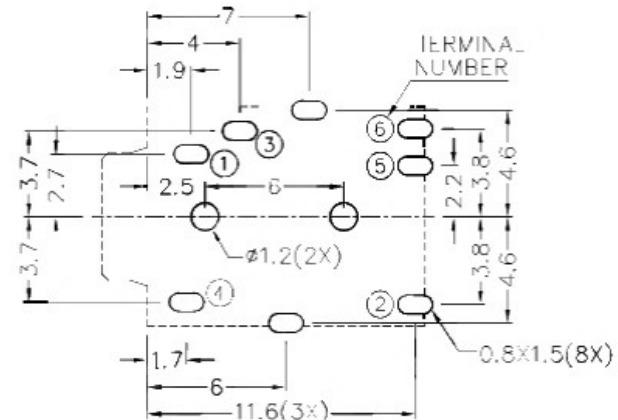
ZONE	SYMBOL	REVISION	APPROVAL	DATE

RoHS
Compliant

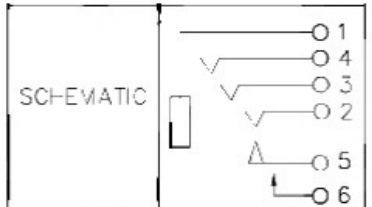
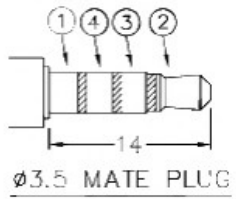


* MATERIAL

- TERMI NAL 1 : COPPER ALLOY
- TERMI NAL 2 : COPPER ALLOY
- TERMI NAL 3 : COPPER ALLOY
- TERMI NAL 4 : COPPER ALLOY
- TERMI NAL 5 : COPPER ALLOY
- TERMI NAL 6 : COPPER ALLOY
- SHIELD : BRASS
- HOUSING : HIGH TEMP. PLASTIC
- INSULATOR : HIGH TEMP. PLASTIC



RECOMMENDED PCB LAYOUT
TOLERANCE: -0.05
(TOP VIEW)



广东科斯达开关厂

DESIGN	T.Y.LI	DATE	7-11-2012	SCALE	3:1
DRAWING	J.H.ZHOU	DATE	20-1-2017	MATERIAL	*
CHECK	H.L.TAN	DATE	20-1-2017	DWG. NO.	TZ\SH559S-A/1.0
APPROVAL		DATE		SHEET	

PART NAME	3.5mm STEREO JACK	TOLERANCE UNLESS	0.0±0.2	UNIT:	mm
PART NO.		OTHERWISE SPECIFIED:	0.00±0.1 0.000±0.05		