

F

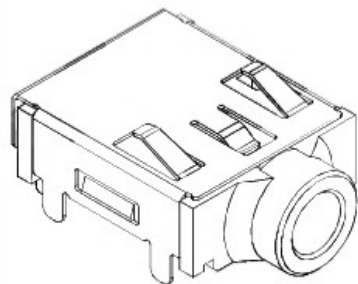
E

D

C

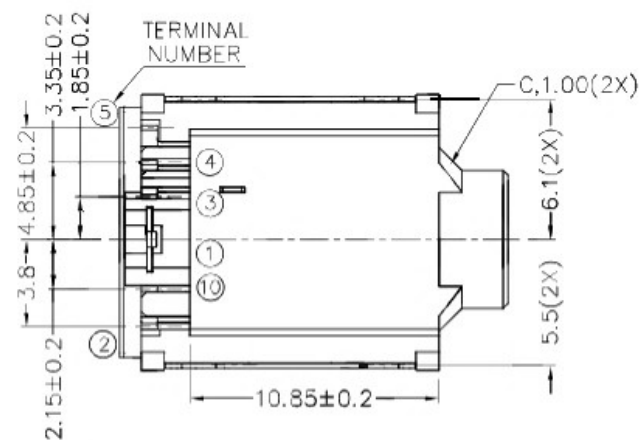
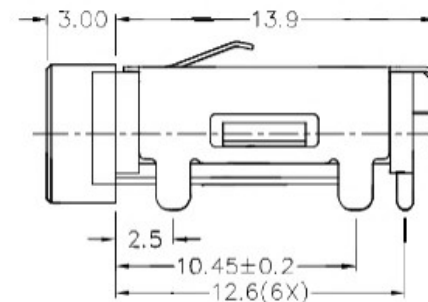
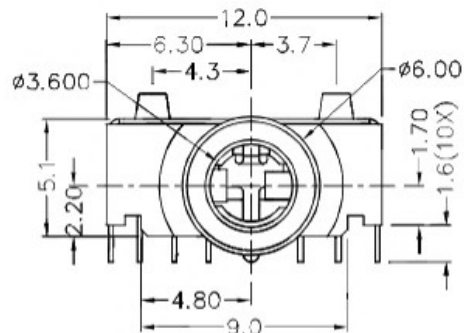
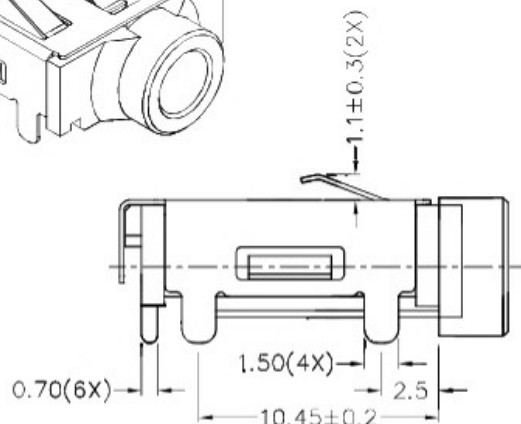
B

A



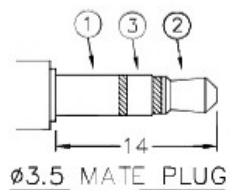
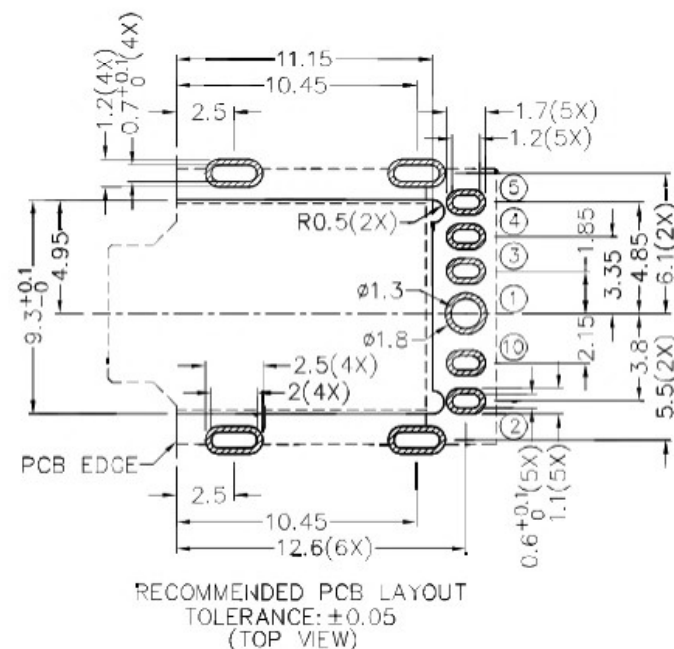
RoHS
Compliant

ZONE	SYMBOL	REVISION	APPROVAL	DATE

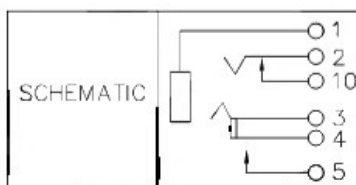


* MATERIAL

TERMINAL 1 : COPPER ALLOY
 TERMINAL 2 : COPPER ALLOY
 TERMINAL 3 : COPPER ALLOY
 TERMINAL 4 : COPPER ALLOY
 TERMINAL 5 : COPPER ALLOY
 TERMINAL 10 : BRASS
 SHIELD : COPPER ALLOY
 HOUSING : HIGH TEMP. PLASTIC



Ø3.5 MATE PLUG



RECOMMENDED PCB LAYOUT
 TOLERANCE: ±0.05
 (TOP VIEW)

 广东科斯达开关厂

PART NAME	3.5mm SMD STEREO JACK	TOLERANCE UNLESS	0.0±0.2	UNIT:	mm
PART NO.		OTHERWISE SPECIFIED:	0.00±0.1 0.000±0.05		

DESIGN	H.L.TAN	DATE	12-5-2011	SCALE	3:1
DRAWING	H.Q.ZHOU	DATE	17-1-2017	MATERIAL	*
CHECK	T.Y.LI	DATE	17-1-2017	DWG. NO.	tz\SH529DS-A/1.0
APPROVAL		DATE		SHEET	

F

E

D

C

B

A