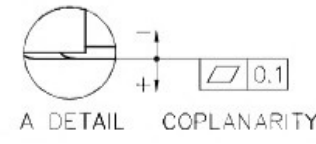
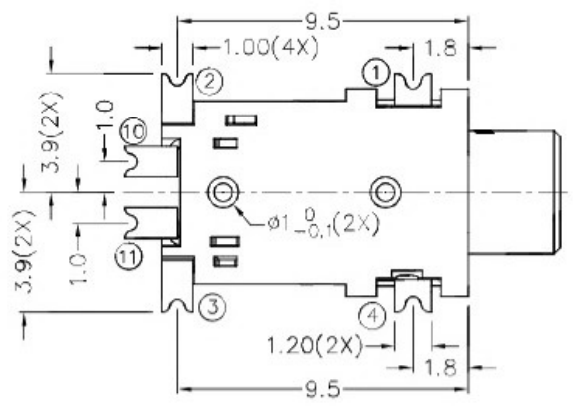
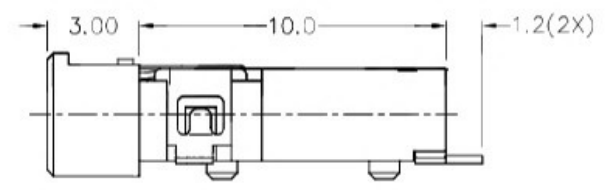
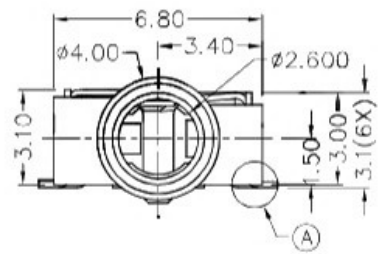
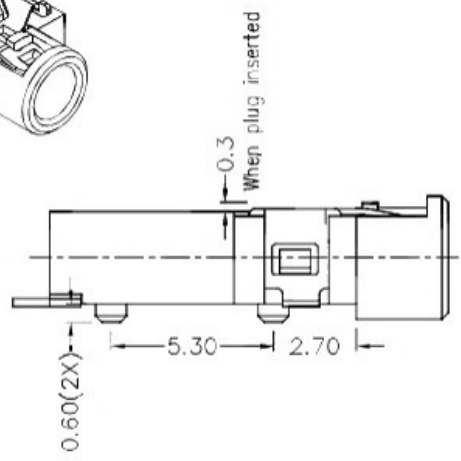
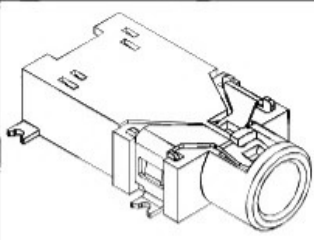


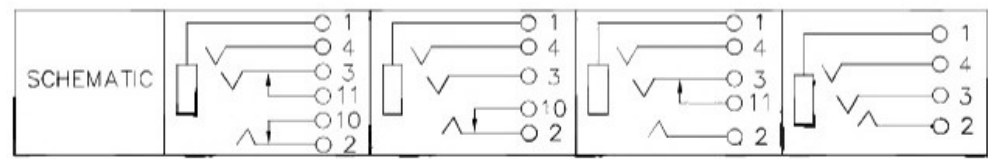
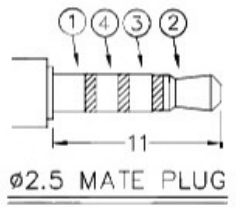
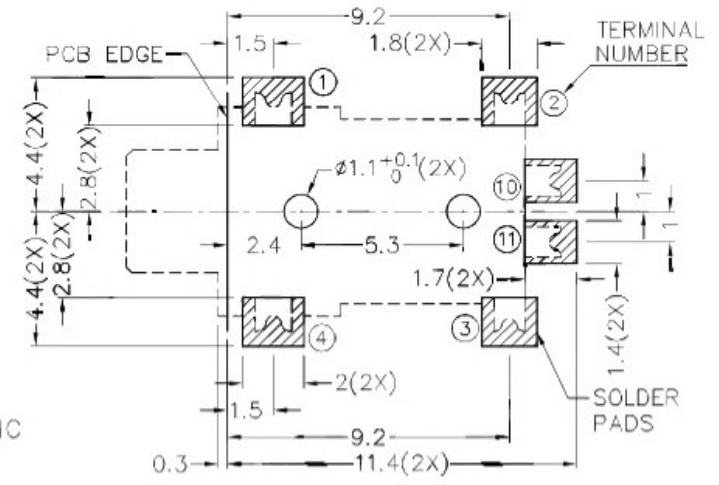
F E D C B A

ZONE	SYMBOL	REVISION	APPROVAL	DATE

RoHS  
Compliant



**\* MATERIAL**  
 TERMINAL 1 : COPPER ALLOY  
 TERMINAL 2 : COPPER ALLOY  
 TERMINAL 3 : COPPER ALLOY  
 TERMINAL 4 : COPPER ALLOY  
 TERMINAL 10: BRASS  
 TERMINAL 11: BRASS  
 HOUSING : HIGH TEMP. PLASTIC



RECOMMENDED PCB LAYOUT  
 TOLERANCE: ±0.05  
 (TOP VIEW)

**广东科斯达开关厂**

PART NAME	2.5mm SMD STEREO JACK	TOLERANCE UNLESS 0.0±0.2 0.00±0.1 OTHERWISE SPECIFIED: 0.000±0.05	UNIT: mm	DESIGN	G.P.YI	DATE	12-5-2006	SCALE	4:1
				DRAWING	T.Y.LI	DATE	10-3-2017	MATERIAL	*
PART NO.				CHECK	H.L.TAN	DATE	10-3-2017	DWG. NO.	TZ\TG2950-A/1.0
				APPROVAL		DATE		SHEET	

F E D C B A